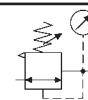




## Pressure Line Regulator standard



Pressure line regulator for a maximum inlet pressure of 200bars. Suitable for compressed air, nitrogen and other neutral compact gases.

### Technical data

#### Nominal rates of flow

50 bar = 2500NI/min  
100 bar = 2700NI/min  
150 bar = 2900NI/min

#### Size Port

G<sup>1/4</sup>i female thread on both sides  
ø63, 0-200 bar

#### Gauge inlet

ø63, 0-50 bar, 100bar, 200bar  
200bar (PN200)

#### Gauge outlet

#### Max. inlet pressure (P<sub>1</sub>)

1 to 50bar, 100bar, 150bar

#### Outlet pressure range (P<sub>2</sub>)

#### Operating temperature

-10°C to +90°C

#### Mounting position

any

#### Direction of flow

left to right

#### Nominal width

DN3

#### Over-pressure protection

blow-off valve

#### Adjustment

toggle (50bar - handwheel)

#### Weight

2200g

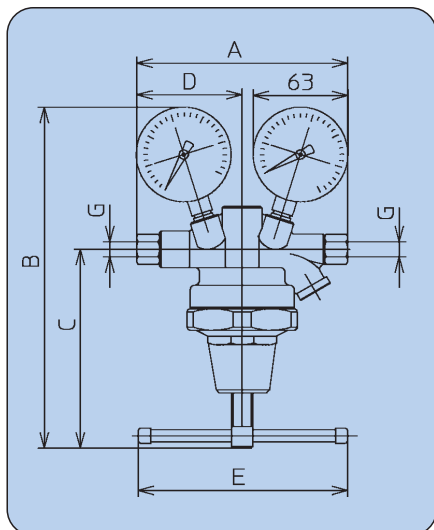
#### Material

Seals

NBR

Housing

brass



## Pressure Line Regulators up to 150bar outlet pressure

Pressure range	G <sup>1/4</sup>
50 bar (with handwheel)	<b>120.420</b>
100 bar (with toggle)	<b>120.421</b>
150 bar	<b>120.422</b>

### Dimensions [mm]

Size Port	G <sup>1/4</sup>
A	150
B	215
C	130
D	160
E	130
G	G <sup>1/4</sup>



**KOMPRESORY  
VZDUCHOTECHNIKA s.r.o.**  
Vše pro stlačený vzduch na jednom místě

**E:** info@kompresory-vzduchotechnika.cz

**E:** objednavky@kompresory-vzduchotechnika.cz

**T:** +420 311 532 091, **M:** +420 773 489 530, **M:** +420 603 432 326