

Features

- ☆ 4.5 bellow vacuum pad.
- ☆ Transferring fragile objects,high safety.
- ☆ Transferring objects with height differences.
- ☆ Transferring foods with plastic package.

Applications

- ◇ Eggs
- ◇ Glass
- ◇ Bread
- ◇ Foods with plastic package



How to Order

SBL40 N F – M5/18MF – EH – KE510–A12

① Model		② Material (Shore hardness)		④ Connection thread		⑤ Valve	
SBL15	φ15	N	NBR(55°)	M5–M	M5 Male thread (SBL15)	EH	Vacuum efficiency valve (SBL20,30,40,50)
SBL20	φ20	S	Silicone(50°)	18–M	G1/8 Male thread (SBL30, SBL40)	-	No
SBL30	φ30	WS	White silicone(50°)	14–M	G1/4 Male thread (SBL30, SBL40, SBL50)		
SBL35M	φ35	CS	Conductive(Special mat)(50°)	38–M	G3/8 Male thread (SBL50)		
SBL40	φ40			M5/18MF	M5 Female thread G1/8 Male thread (SBL20)		
SBL40B	φ40			M5/18MFL*	M5 Female thread G1/8 Male thread (SBL20)		
SBL50	φ50			5 × M5F	5 × M5 Female thread (SBL20)		
		③ Filter		18–F	G1/8 Female thread (SBL20, SBL30, SBL40,SBL50)		
		F	With filter(PE)*	18–FL	G1/8 Female thread (SBL30, SBL40)		
		-	No	5 × 18F	5 × G18 Female thread (SBL30, SBL40, SBL50)		

*Only for SBL30 SBL40 SBL50

Remark: SBL30 SBL40 SBL50 fittings are including mesh filter

Accessories


KE510–A12

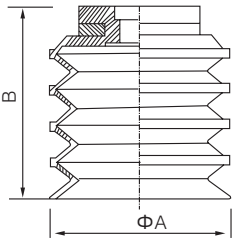
⑥

⑥Spring plunger	
Model	Buffer stroke(mm)
KI506–R–A8, KI506–B–A8, KI506–E–A8, KI506–S–A8	06
KI510–R–A8, KI510–B–A8, KI510–E–A8, KI510–S–A8	10
KI525–R–A8, KI525–B–A8, KI525–E–A8, KI525–S–A8	25
KI507–V–A10	7
KI515–V–A10	15
KI520–V–A10	20
KE1810–A16, KE1810–L–A14, KE1810–V–A16	10
KE1820–A16, KE1820–L–A14, KE1820–V–A16	20
KE1830–A16, KE1830–L–A14, KE1830–V–A16	30
KE1850–A16, KE1850–L–A14, KE1850–V–A16*	50
KI1810–A16, KI1810–L–A16, KI1810–V–A16	10
KI1820–A16, KI1820–L–A16, KI1820–V–A16*	20
KI1830–A16, KI1830–L–A16, KI1830–V–A16	30
KI1850–A16, KI1850–L–A16, KI1850–V–A16*	50

*Not available with ball joint.

Recommended(Max.)lifting force(N)

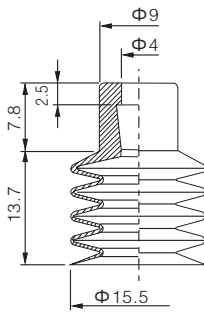
Model	Volume cm ³	Vertical lifting force(N) 	
		-20kPa	-60kPa
SBL15	1.95	0.24	0.48
SBL20	4	0.3	0.6
SBL30	13	0.6	1.55
SBL35M	21	0.79	1.87
SBL40	27	1.05	2.15
SBL40B	26	10	20.53
SBL50	55	1.68	4.22



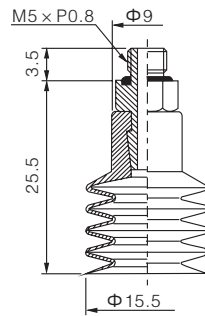
◀ SBL20 SBL30 SBL40 SBL50

Model	ΦA	B
SBL20	20	23
SBL30	30	32
SBL40	40	42
SBL50	50	52

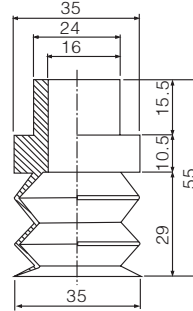
▼ SBL15



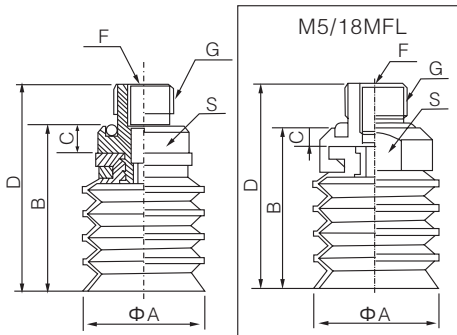
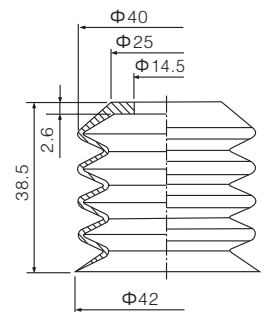
▼ SBL 15M5M



▼ SBL35M



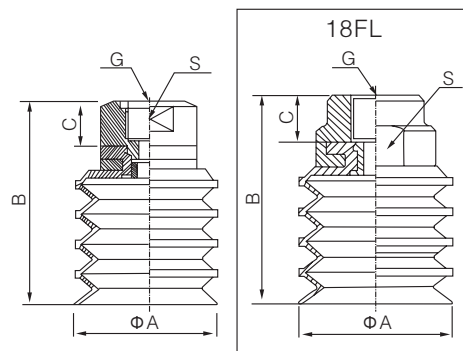
▼ SBL40B



Male thread connection(mm)

Model	ΦA	B	C	D	F	G	S
SBL20-M5/18MF	20	24.5	1.5	30.5	M5	G1/8	S12
SBL20-M5/18MFL*	20	26	3	27	M5	G1/8	S16
SBL30-18M	30	37	5	44	-	G1/8	S17
SBL30-14M	30	38	6	47	-	G1/4	S17
SBL40-18M	40	17	5	24	-	G1/8	S17
SBL40-14M	40	48	6	57	-	G1/4	S17
SBL50-14M	50	58	6	67	-	G1/4	S24
SBL50-38M	50	58	6	68	-	G3/8	S24

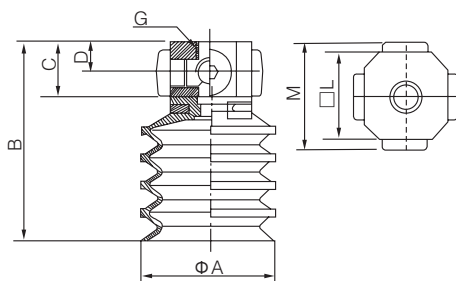
*only for S (Silicone) material



Female thread connection(mm)

Model	ΦA	B	C	G	S
SBL20-18F	20	31	8	G1/8	S15
SBL30-18F	30	40	8	G1/8	S17
SBL30-18FL*	30	41	9	G1/8	S21
SBL40-18F	40	50	8	G1/8	S17
SBL40-18FL*	40	51	9	G1/8	S21
SBL50-18F	50	60	9	G1/8	S24

*only for S (Silicone) material



Female thread connection x5(mm)

Model	ΦA	B	C	D	G	□L	M
SBL20-5 x M5F	20	32	9	5	5 x M5	15	22
SBL30-5 x 18F	30	50	18	10	5 x G1/8	22	30
SBL40-5 x 18F	40	60	18	10	5 x G1/8	22	30
SBL50-5 x 18F	50	70	18	10	5 x G1/8	28	36