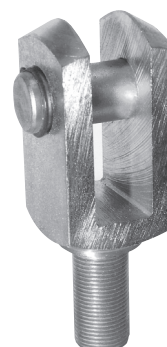


# Mounting Accessories for Cylinders

## Clevis with male thread



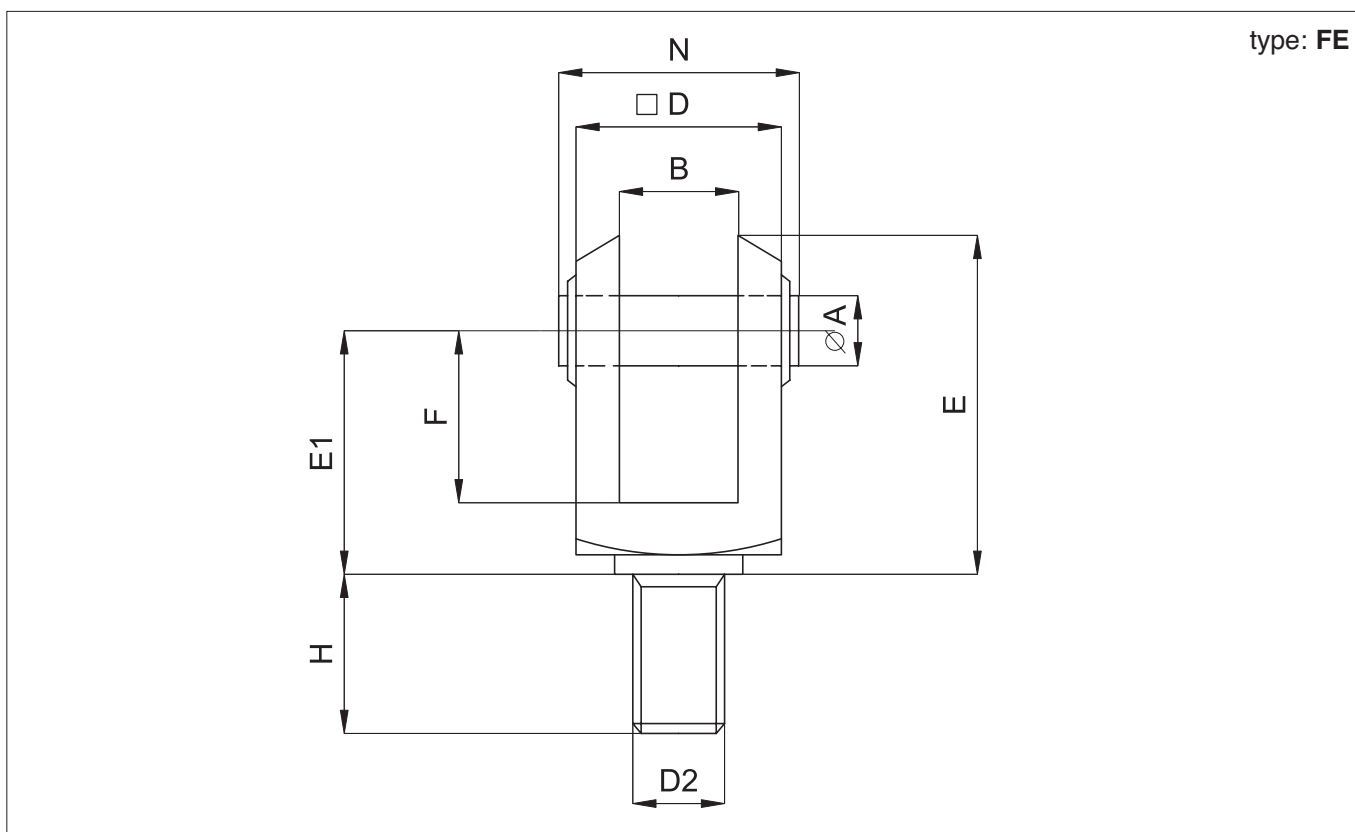
Standard executions		
Version	Symbol	Type
Female clevis with male thread		FE



Female clevis with male thread, complete with a pin and 2 shear pins in the standard version. The clevis is mounted on the cylinder rod and allows a swinging movement.

Options	Suffix
Special versions on request	/ S

Technical data	
Material	Yellow zinc plated steel



Code	Item	A ø	B	D	D <sub>2</sub>	E	E <sub>1</sub>	F	H	N
041061	10FE	10	10	20	M10x1,25	39	27	20	22	27
041062	12FE	12	12	24	M12x1,25	46	32	24	24	31
041063	16FE	16	16	32	M16x1,5	61	42	32	32	39
041064	20FE	20	20	40	M20x1,5	77	52	40	40	49
041065	27FE	25	25	50	M27x2	98	66	50	43	59
041066	33FE	28	28	55	M33x2	110	74	56	56	64