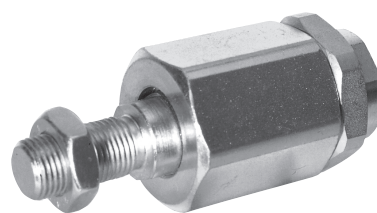


Mounting Accessories for Cylinders

Bearings - Self-aligned articulated couplings



Standard executions		
Version	Symbol	Type
Axial		GB



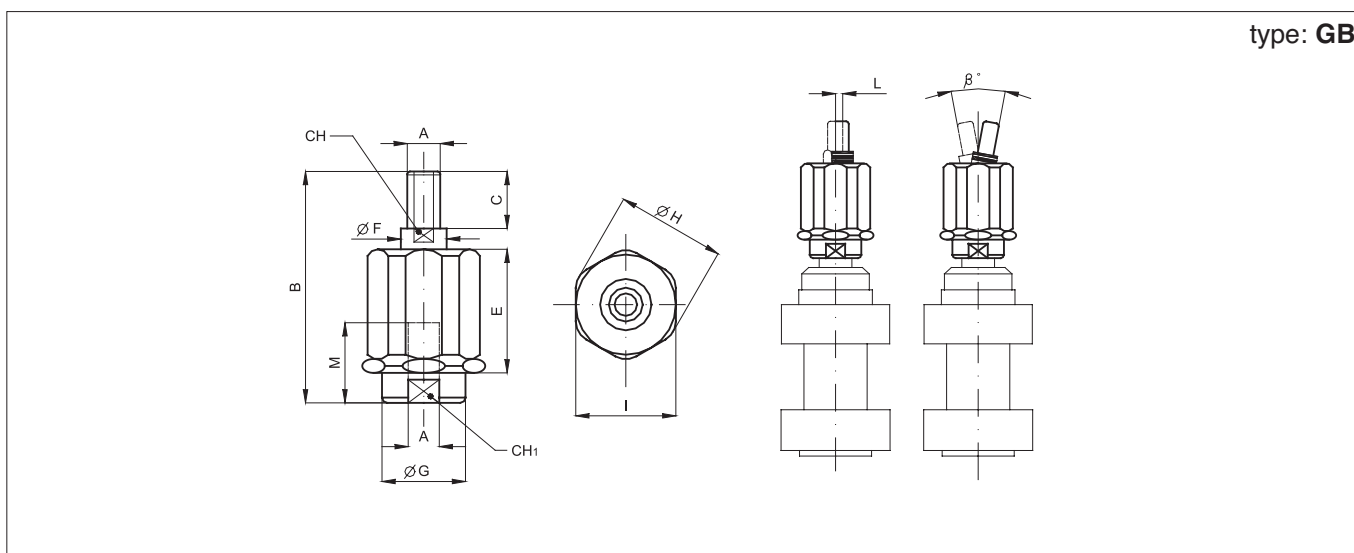
Axial self-aligned articulated couplings mounted on the cylinder rod.

They are fit for applications with high tractions and allow to compensate the angular and parallel misalignments.

They are provided with hexagonal nut in the standard version.

Options	Suffix
Special versions on request	/ S

Technical data	
Material	Zinc plated steel



Code	Item	For cylin. ISO ø mm	A	B	C	D	E	F	G	H	I	L	M	CH	β°	CH ₁	Maximum load (N) in thrust and traction	Weight (g)
041701	GB008	8-10	M4x0,7	35	10	3,5	17,5	6	8,5	14,5	13	1	10	5	10	7	750	15
041700	GB005	*	M5x0,8	35	10	3,5	17,5	6	8,5	14,5	13	1	10	5	10	7	1200	20
041702	GB010	12-16	M6x1	35	10	3,5	17,5	6	8,5	14,5	13	1	10	5	10	7	1200	23
041703	GB020	20	M8x1,25	57	20	4	28,5	8	12,5	19	17	2	20	7	10	11	2500	60
041704	GB040	25-32	M10x1,25	71	20	5	35	14	22	32	30	2	20	12	10	19	5000	220
041705	GB050	*	M10x1,5	71	20	5	35	14	22	32	30	2	20	12	10	19	5000	220
041706	GB060	40	M12x1,25	75	24	5	35	14	22	32	30	2	20	12	10	19	5000	230
041707	GB090	*	M12x1,75	75	24	5	35	14	22	32	30	2	20	12	10	19	5000	230
041708	GB100	50-63	M16x1,5	103	32	8	54	22	32	45	41	2	32	20	10	30	10000	660
041709	GB120	80-100	M20x1,5	119	40	8	54	22	32	45	41	2	40	20	10	30	10000	700
041711	GB130	125	M27x2	147	54	-	60	-	57	70	-	-	40	24	-	54	-	1700

* For cylinders not conforming to standards.