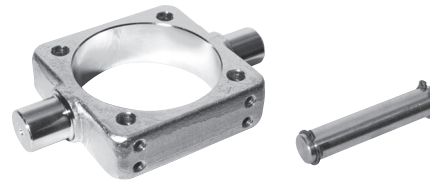


Mounting Accessories for Cylinders

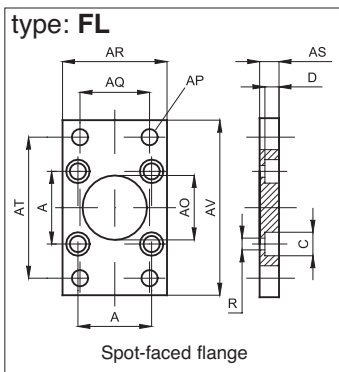
Mountings for CNOMO in steel



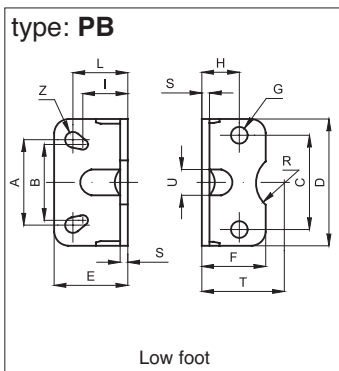
Standard executions		
Version	Symbol	Type
Flange		FL..AQC�
Low foot		PB..AQC�
Pin for rear clevis with seeger		SEC..AQC�
Round adjustable centre trunnion (tie rod)		CT..AQC�
Centre trunnion (profile barrel) for CNX		CTS..AQIS

Technical data				
Type	Materials and treatments			
	Steel A105	Steel AVP	Fe 37	White zinking
FL..AQC�			•	•
PB..AQC�			•	•
SEC..AQC�		•		
CT..AQC�	•			•
CTS..AQIS	•			•

Note: The mounting screws are to be ordered separately.
For screws see page 1.101.1 (VBCI)

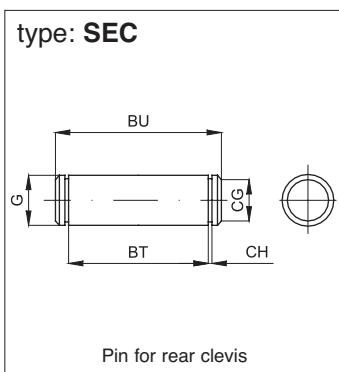


Code	Item	For cyl. ø mm	A	AP	AO	R	AS	AR	AQ	AT	AV	C	D	Weight (g)
040621	FL32AQC�	32	33	9	25	6,5	8	45	33	69	80	10,5	6	158
040622	FL40AQC�	40	40	9	32	6,5	8	52	40	78	90	10,5	6	206
040623	FL50AQC�	50	49	11	32	9	10	65	49	94	110	13,5	8	424
040624	FL63AQC�	63	59	11	45	9	10	75	59	104	120	13,5	8	504
040625	FL80AQC�	80	75	14	45	10,5	12	95	75	130	150	16,5	10	1046
040626	FL100AQC�	100	90	14	55	10,5	12	115	90	150	170	16,5	10	1480
040627	FL125AQC�	125	110	18	55	13,5	16	140	110	180	205	19	12,5	3000
040628	FL160AQC�	160	140	22	65	16,5	20	180	140	228	260	24,5	16,5	6300
040629	FL200AQC�	200	175	22	65	16,5	20	220	175	268	300	24,5	16,5	9300



Code	Item	For cyl. ø mm	A	B	C	D	E	F	G	H	I	L	M	N	R	S	T	U	Weight (g)
040161	PB32AQC�	32	28	32	33	45	35	30	7	15,5	22	27	4,5	3,5	12,5	4	32	11	66
040162	PB40AQC�	40	36	36	40	52	36	30	7	16	26	27	4,5	4,5	16	4	36	15	78
040163	PB50AQC�	50	45	45	49	65	45	36	9	20,5	30	35	5,5	4,5	22,5	5	45	16	168
040164	PB63AQC�	63	55	50	59	75	45	35	9	20,5	30	35	5,5	4,5	22,5	5	50	18	190
040165	PB80AQC�	80	70	63	75	95	55	45	11	25,5	37	43	7	5,5	22,5	6	63	17	382
040166	PB100AQC�	100	90	75	90	115	56	44	11	27	37,5	43	7	6,5	27,5	6	73	24	452
040167	PB125AQC�	125	100	-	110	140	70	70	14	36	-	52	9	-	27,5	8	91	-	1090
040168	PB160AQC�	160	130	-	140	180	75	100	18	45	-	62	11	-	32,5	10	115	-	1180
040169	PB200AQC�	200	170	-	175	220	100	100	18	47	-	62	11	-	32,5	12	135	-	3450

It is supplied singly.



Code	Item	For cyl. ø mm	G	BT	CG	CH	BU	Weight (g)
040221	SEC32AQC�	32	8	46	7,6	1,1	53	21
040222	SEC40AQC�	40	12	53	11,5	1,1	60	52
040223	SEC50AQC�	50	12	66	11,5	1,1	73	64
040224	SEC63AQC�	63	16	76	15,2	1,1	83	130
040225	SEC80AQC�	80	16	96	15,2	1,1	103	160
040226	SEC100AQC�	100	20	117	19	1,3	124	304
040227	SEC125AQC�	125	20	142	19	1,3	149	364
040228	SEC160AQC�	160	25	182	23,9	1,3	189	720
040229	SEC200AQC�	200	30	222	28,6	1,6	229	872

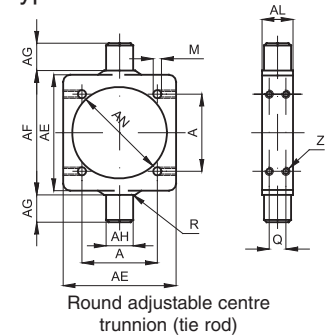
It is supplied with 3 seegers included.

Mounting Accessories for Cylinders

Mountings for CNOMO in steel

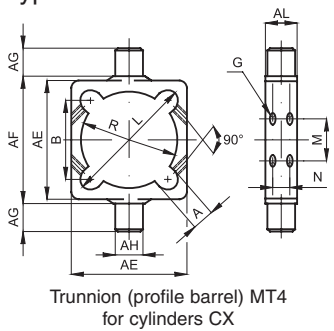


type: CT



Code	Item	For cyl. ø mm	A	AE	AL	AH	AG	AF	AN	R	M	Q	Z	Weight (g)
040541	CT32AQC�	32	32,5	46	15	12	12	50	37	1	6,25	7	M5	110
040542	CT40AQC�	40	38	59	20	16	16	63	46	1,5	6,25	8	M5	290
040543	CT50AQC�	50	46,5	69	20	16	16	75	56	1,6	8,25	8	M6	330
040544	CT63AQC�	63	56,5	84	25	20	20	90	69	1,6	8,25	12	M6	650
040545	CT80AQC�	80	72	102	25	20	20	110	87	1,6	10,25	12	M8	830
040546	CT100AQC�	100	89	125	30	25	25	132	107	2	10,25	15	M8	1560
040547	CT125AQC�	125	110	155	32	25	25	160	133	2	12,25	15	M10	2450
040548	CT160AQC�	160	140	190	40	32	32	200	170	2,5	16,25	18	M12	4150
040549	CT200AQC�	200	175	240	40	32	32	250	211	2,5	16,25	18	M12	7300

type: CTS



Code	Item	For cyl. ø mm	B	AE	AL	AH	AG	AF	R	L	G	A	M	N	Weight (g)
040601	CTS32AQIS	32	33,2	48,5	18	12	12	50	37	58	M5	11	13,5	7	130
040602	CTS40AQIS	40	40	59	20	16	16	63	46	67,5	M6	11	19	8	238
040603	CTS50AQIS	50	48,4	71	20	16	16	75	56	82,5	M6	14	24,5	8	318
040604	CTS63AQIS	63	58,7	84	26	20	20	90	69	97	M6	14	28	12	608
040605	CTS80AQIS	80	73,5	105	26	20	20	110	87	120	M6	16	36,5	12	928
040606	CTS100AQIS	100	91,6	129	32	25	25	132	107	146,5	M8	17	42,5	15	1562
040607	CTS125AQIS	125	115,3	154	33	25	25	160	133	181	M8	18	59,5	15	2200
040608	CTS160AQIS	160	146	190	40	32	32	200	170	267	M10	26,5	100,5	20	3650
040609	CTS200AQIS	200	186	240	40	32	32	250	213	329	M10	28	110,5	22	5940