

### Features

The vacuum pump has a straight through design, hence they are non-clogging and maintenance free, and it is particular for transferring particles, powders. High flow can be achieved with in line bore sizes up to 38mm.

### Specifications

Max.vacuum level	-35kPa
Max.vacuum flow rate	5610l/m
Air supply pressure	4-6bar Max.7bar
Air supply type	Dry Compressed air



### How to Order

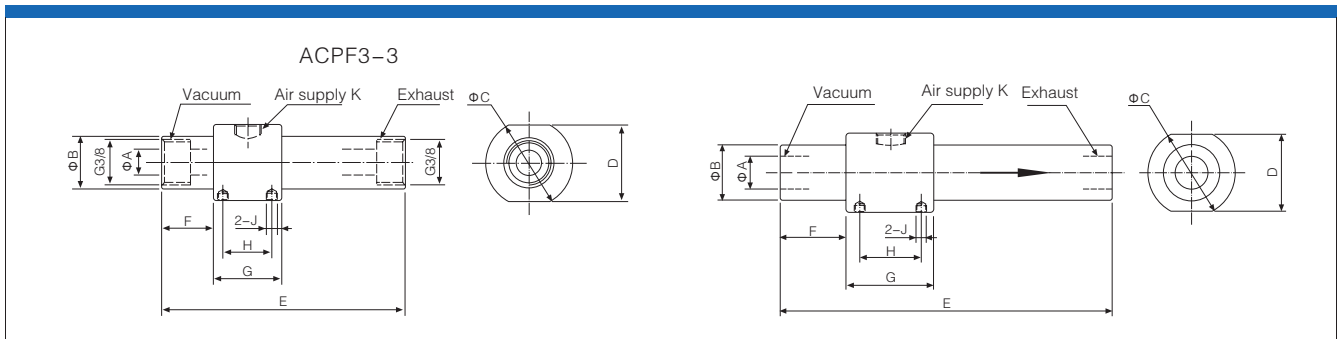
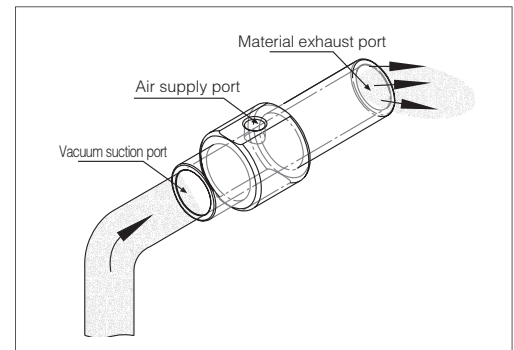
#### ACPF 2-3 - AL

- ① Model      ② Material

2-3	7-6	AL-Aluminum
3-3	15-3	SS-Stainless steel
5-6	15-6	

### Applications

- ☆ Transferring materials
- ☆ Seledge removal intrimming operation
- ☆ Convy wheat, corn
- ☆ Transfer powder detargent and plastic powder
- ☆ Chip removal in drilling operation
- ☆ Powder removal in grinding operation



Model	Dimension									
	ΦA	ΦB	ΦC	D	E	F	G	H	J	K
ACPF2-3	6.5	18.5	32	30	89	19	25	18	M4	G1/8
ACPF3-3	9.5	18.5	32	30	89	19	25	18	M4	G1/8
ACPF5-6	12.5	24	38	34	140	25.5	32	23	M4	G1/4
ACPF7-6	19	32	50	45	190	38	50	35	M6	G3/8
ACPF15-3	38	49.6	69	65	205	40	60	42	M6	G3/8
ACPF15-6	38	49.6	69	65	205	40	60	42	M6	G3/8

### ACPF Series Vacuum flow(L/m)、 Vacuum level(-kPa)、 Air Consumption(L/m)

Model	Air velocity	Vacuum flow	Vacuum level	Air consumption(l/m)	
	ft/s	l/m	-kPa	2.8bar	5.5bar
ACPF2-3	485	295	26	85	160
ACPF3-3	328	425	16	95	170
ACPF5-6	361	870	35	395	680
ACPF7-6	325	1825	28	790	1365
ACPF15-3	223	4400	4.4	405	695
ACPF15-6	270	5610	9	790	1365