

Version	Symbol	Type
Conical silencer		AC
Conical silencer with nut		ACQ
Conical silencer with hexagonal nut		AE
Extended conical silencer with hexagonal nut		AEA
Conical silencer with hexagonal nut and nipple in copper plated steel		AEB
Cylindrical silencer		AF
Flat silencer		AEP
Silencer with stainless steel mesh		AFE
Internal silencer		AP
Basic cylindrical silencer		AT
Basic cylindrical silencer with screwdriver slot		ATT



Series of silencers with metal nipple and 36 micron sintered bronze filter element. They can be applied to valve exhausts to reduce noise level.

* How to order: ACQ14N

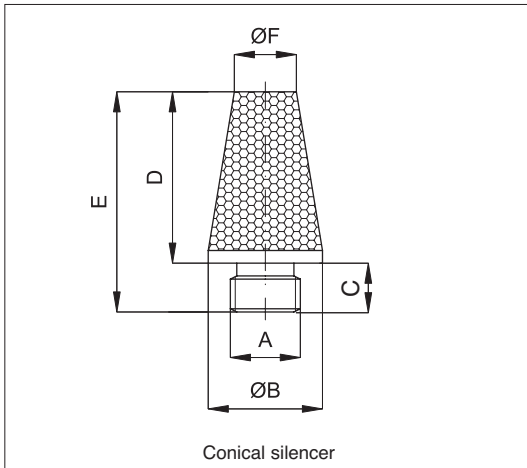
ACQ	14	N
Type	Thread code	Option code

* For standard items, codes and dimensions see table from page 4.85.12.

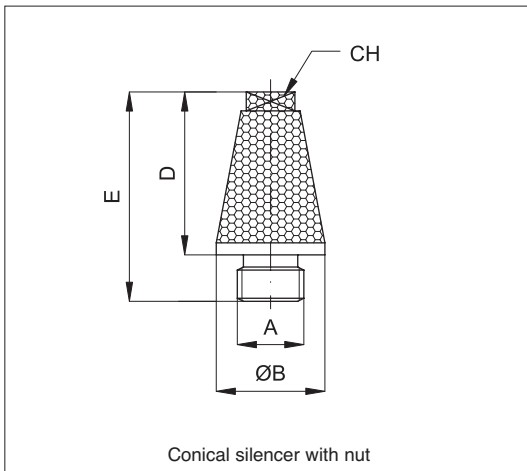
Options	Code
Completely nickel plated	N

Threads	M5	1/8"	1/4"	3/8"	1/2"	3/4"	1"
Code	M5	18	14	38	12	34	01

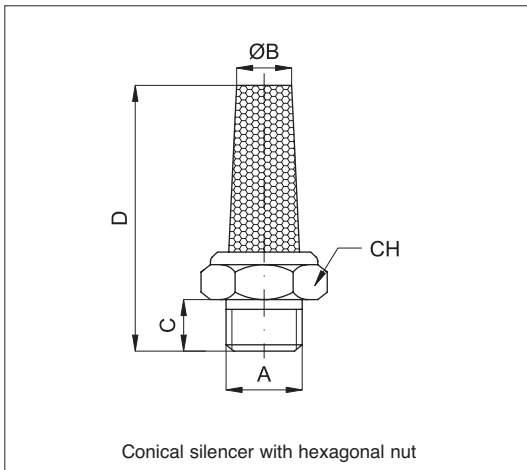
Technical data	
Fluid	Compressed air
Pressure range	0 ÷ 12 bar
Temperature range	-10 °C ÷ + 80°C
Parallel threads	UNI - ISO 228 / 1 (BSP)
Metric threads	ISO R / 262
Materials	Filter element: Sintered spherical bronze (AFE - AFEX with sintered stainless steel AISI 304 net) Nipple: Brass (AEB in copper plated steel; AFEX in stainless steel 304) Filter degree: 36 micron



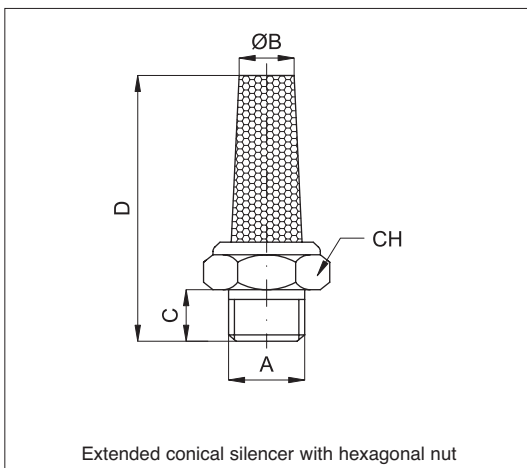
Code	Item	A	B	F	C	D	E
010031	AC18	1/8"	12	8	6	15	21
010032	AC14	1/4"	15	11	6	19	25
010033	AC38	3/8"	20	15	8	28	36
010034	AC12	1/2"	25	18	10	33	43
010035	AC34	3/4"	31	23	13	40	53
010036	AC01	1"	37	28	15	48	63
010037	ACM5	5MA	6	5	4,5	8,5	13



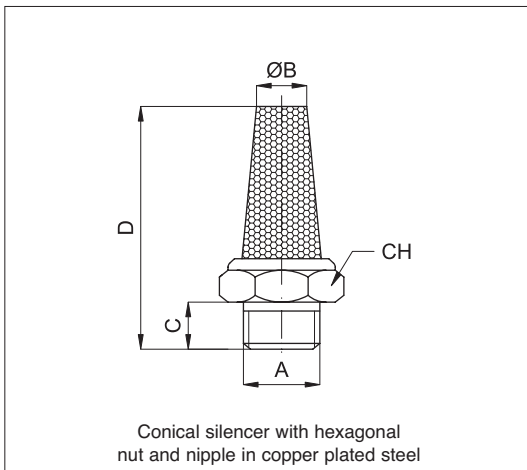
Code	Item	A	B	CH	C	D	E
010051	ACQ18	1/8"	12	7	6	15	21
010052	ACQ14	1/4"	15	9	6	19	25
010053	ACQ38	3/8"	20	13	8	28	37
010054	ACQ12	1/2"	25	16	10	33	41
010055	ACQ34	3/4"	31	20	13	40	51
010056	ACQ01	1"	37	23	15	48	60
010057	ACQM5	5MA	12	7	6	15	23



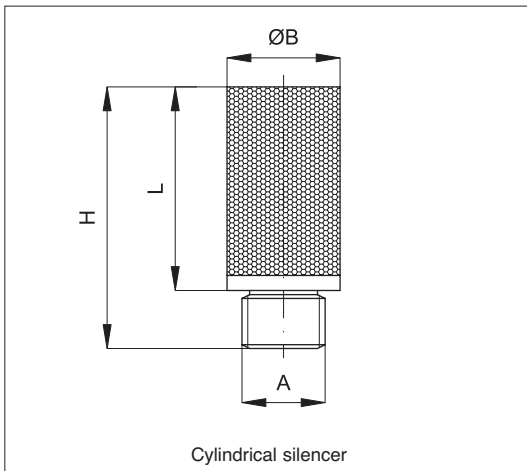
Code	Item	A	B	CH	C	D
010121	AE18	1/8"	7	13	6	29
010122	AE14	1/4"	9	16	8	32
010123	AE38	3/8"	13	19	9	43
010124	AE12	1/2"	16	24	11	53
010125	AE34	3/4"	20	30	13	53
010126	AE01	1"	20	36	15	66
010127	AEM5	5MA	4,5	7	4	16
010128	AE18F	1/8"F	7	13	6	29



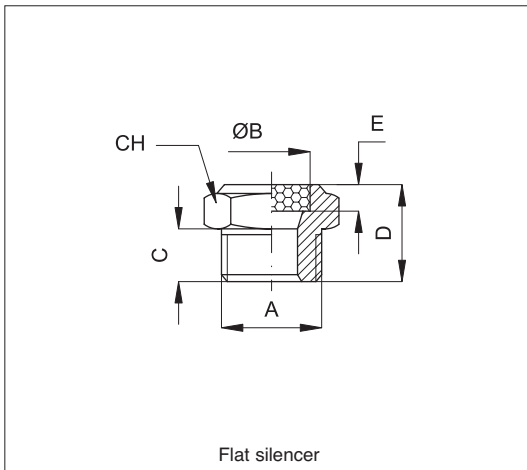
Code	Item	A	B	CH	C	D
010161	AEA18	1/8"	7	13	6	43
010162	AEA14	1/4"	9	16	8	51
010163	AEA38	3/8"	10	19	9	56
010164	AEA12	1/2"	13	24	11	68
010165	AEA34	3/4"	17	30	13	70
010166	AEA01	1"	23	36	15	82
010167	AEAM5	5MA	4	8	3,5	25
010168	AEA18F	1/8"F	7	13	6	43



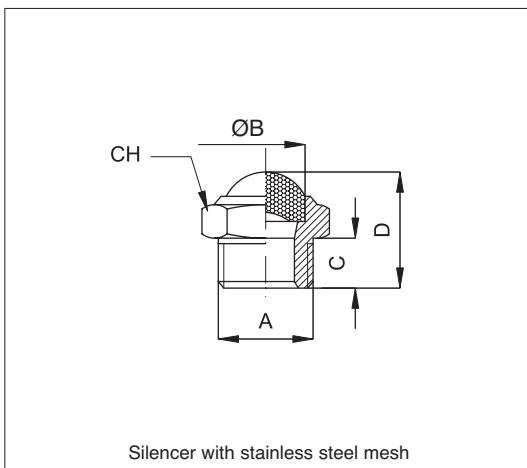
Code	Item	A	B	CH	C	D
010141	AEB18	1/8"	8	12	4,5	20
010142	AEB14	1/4"	11	15	6	26
010143	AEB38	3/8"	14	19	7	34
010144	AEB12	1/2"	16	23	8	40
010145	AEB34	3/4"	22	29	9	51
010146	AEB01	1"	26	36	11	66
010147	AEBM5	5MA	5	7	3,5	9



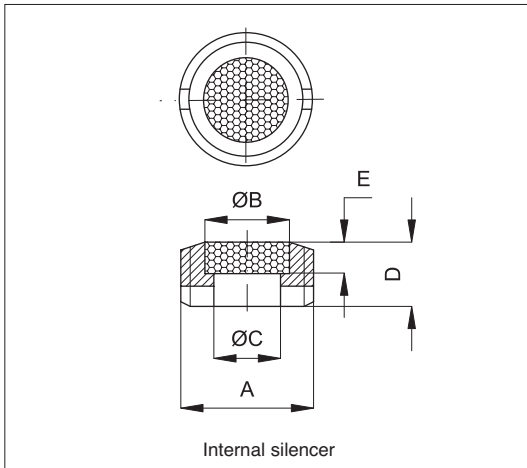
Code	Item	A	B	L	H
010111	AF18	1/8"	13	32	38
010112	AF14	1/4"	16	45	51
010113	AFM5	5MA	8	16	21



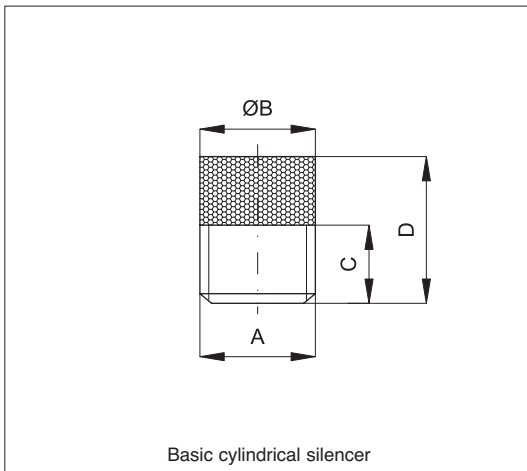
Code	Item	A	B	CH	C	E	D
010091	AEP18	1/8"	11	13	6	4	13
010092	AEP14	1/4"	14	16	8	4	16
010093	AEP38	3/8"	17	19	9	4	18
010094	AEP12	1/2"	22	24	11	4	20
010095	AEP34	3/4"	28	30	13	4	24
010096	AEP01	1"	34	36	15	4	27
010097	AEPM5	5MA	6,5	8	3,5	3	8
010098	AEP18F	1/8"F	11	13	6	4	13



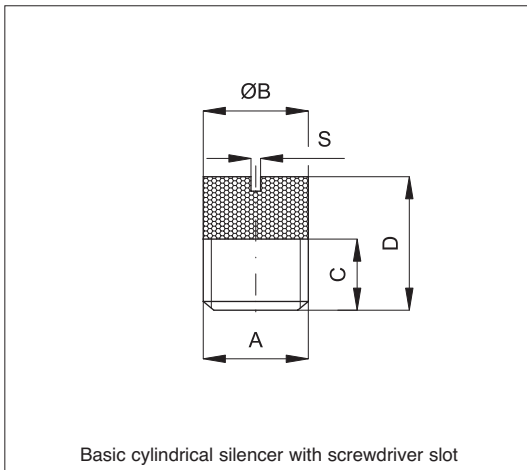
Code	Item	A	B	CH	C	D
010311	AFE18	1/8"	11	13	6	16
010312	AFE14	1/4"	14	16	8	19
010313	AFE38	3/8"	17	19	9	21
010314	AFE12	1/2"	22	24	10	23
010315	AFE34	3/4"	28	30	10	27
010316	AFE01	1"	34	36	15	29
010317	AFEM5	5MA	6,5	8	3,5	8
010318	AFE18F	1/8"F	12	14	6	20



Code	Item	A	B	C	E	D
010251	AP18	1/8"	6	5	3	4
010252	AP14	1/4"	8	6	3	4
010253	AP38	3/8"	10	8	3	5
010254	AP12	1/2"	15	12	4	8
010255	AP34	3/4"	20	17	4	10
010256	AP01	1"	26	23	4	10



Code	Item	A	B	C	D
010211	AT18	1/8"	10	6	12
010212	AT14	1/4"	13	6	12
010213	AT38	3/8"	17	7	15
010214	AT12	1/2"	21	10	18
010215	AT34	3/4"	26	13	22
010216	AT01	1"	33	14	25



Code	Item	A	B	S	C	D
010231	ATT18	1/8"	10	1,5	6	12
010232	ATT14	1/4"	13	1,5	6	12
010233	ATT38	3/8"	17	1,5	7	15
010234	ATT12	1/2"	21	1,5	10	18
010235	ATT34	3/4"	26	1,5	13	22
010236	ATT01	1"	33	1,5	14	25