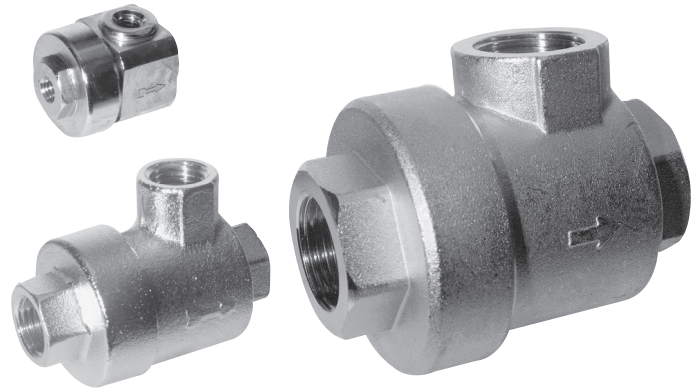


Executions			
Version	Symbol	Code	Item
M5		030806	7VSR
1/8"		030801	1VSR
1/4"		030802	2VSR
3/8"		030803	3VSR
1/2"		030804	4VSR
3/4"		030805	5VSR
3/4" maxi		030807	5VSRM
1" maxi		030808	6VSRM



Series of quick exhaust valves used to increase the speed of a cylinder.

The valve must be mounted directly on the port of the cylinder to achieve the maximum possible speed.

When the supply is in P the diaphragm closes the exhaust R and so the air flows through A into the chamber of the cylinder. When the supply in P fails the diaphragm closes P and this is due to the exhaust air from A to R. The noise of the exhaust can be reduced by a silencer.

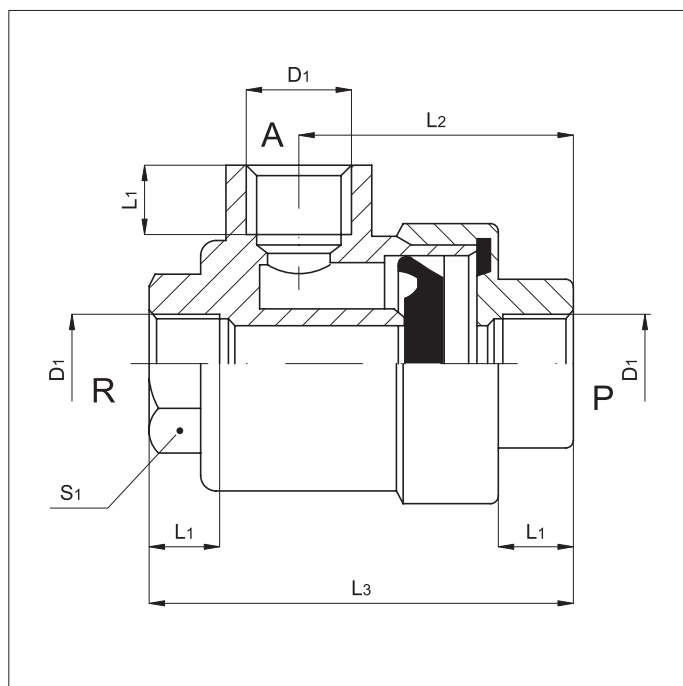
For silencers see from page 4.0

How to order: 2VSRV

2VSR	V
Version	Option

Options	Suffix
Seals FKM max 150 °C	V
Threaded NPTF	NPT

Technical data						
Fluid	Compressed filtered air with or without lubrication					
Pressure range	1 ÷ 10 bar					
Temperature range	-20 °C ÷ + 70°C					
Orifice (mm)	1/8" = 6	1/4" = 8,5	3/4" = 8,5	1/2" = 15	3/4" = 18	1" = 24
Flow from P to A						
Flow from A to R						
Mounting	Preferably directly on the port of the cylinder					
Materials	Body: Nickel plated brass Seals: Diaphragm: Polyurethane - Washer: NBR					



D1	L1	L2	L3	S1
1/8"	7,5	27	42	15
1/4"	11	35	54	19
3/8"	11	35	54	19
1/2"	14	45	72	26
3/4"	16,3	53	87	32
M5	5	17,5	25	10
3/4" MAXI	18	70	108	46
1" MAXI	18	70	108	46

Seal kit

Valve code	Polyurethane seal code	FKM seal code	Washer code	Polyurethane seals kit code	FKM seals kit code
030806	030906	-	030913	-	-
030801	030901	030909	038018	038061	038062
030802 / 030803	030902	030903	038019	038063	038064
030804	030904	030910	038020	038065	038066
030805	030905	030908	038021	038067	038068
030807 / 030808	030907	030911	038026	038069	038070