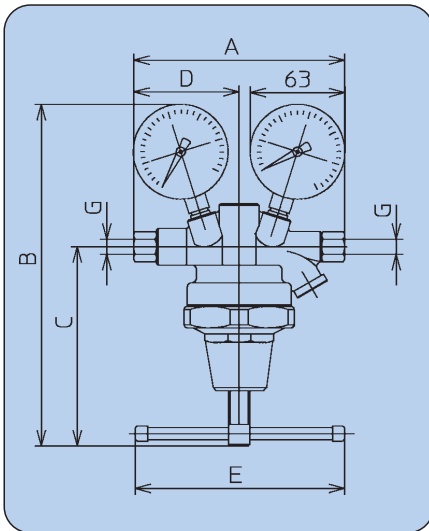
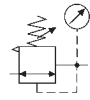


# Pressure Line Regulator

## standard



### Dimensions [mm]

Size Port	G 1/4
A	150
B	215
C	130
D	160
E	130
G	G 1/4

Pressure line regulator for a maximum inlet pressure of 200 bars. Suitable for compressed air, nitrogen and other neutral compact gases.

### Technical data

#### Nominal rates of flow

50 bar = 2500 NI/min

100 bar = 2700 NI/min

150 bar = 2900 NI/min

#### Size Port

G 1/4 female thread on both sides

#### Gauge inlet

ø63, 0-200 bar

#### Gauge outlet

ø63, 0-50 bar, 100 bar, 200 bar

#### Max. inlet pressure (P<sub>1</sub>)

200 bar (PN200)

#### Outlet pressure range (P<sub>2</sub>)

1 to 50 bar, 100 bar, 150 bar

#### Operating temperature

-10°C to +90°C

#### Mounting position

any

#### Direction of flow

left to right

#### Nominal width

DN3

#### Over-pressure protection

blow-off valve

#### Adjustment

toggle (50 bar - handwheel)

#### Weight

2200 g

#### Material

Seals

NBR

Housing

brass

### Pressure Line Regulators up to 150bar outlet pressure

Pressure range	G 1/4
50 bar (with handwheel)	<b>120.420</b>
100 bar (with toggle)	<b>120.421</b>
150 bar	<b>120.422</b>