

<p>Technical data</p>  <p>from page 3.1.1</p>	<p>Size 1/4"</p>  <p>from page 3.2.1</p>	<p>Size 3/8"</p>  <p>from page 3.2.10</p>	<p>Size 1/2"</p>  <p>from page 3.2.20</p>
<p>Size 1"</p>  <p>from page 3.2.30</p>	<p>Accessories, assembling kits and spare parts</p>  <p>from page 3.5.1</p>	<p>Microregulators 1/8", 1/4"</p>  <p>from page 3.10.1</p>	<p>Pressure-gauges</p>  <p>from page 3.50.1</p>

Executions			
Version	Symbol	Code	Item
Filter-regulator + lubricator		090100	A14FRRL
Filter-regulator		090101	A14FRR
Filter		090102	A14F
Regulator		090103	A14R
Lubricator		090104	A14L



- Series of modular units with the following standard features :
- Regulators with relieving valve
 - Filters standard with 25µ cartridge
 - Filters with semi-automatic condensate drain
 - Cup with protection

Options	Suffix
Filter 5 µ cartridge	5
Metal cup	TM
With regulation range 0,5÷4 bar	04

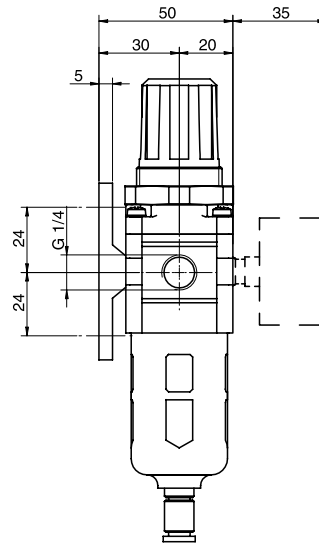
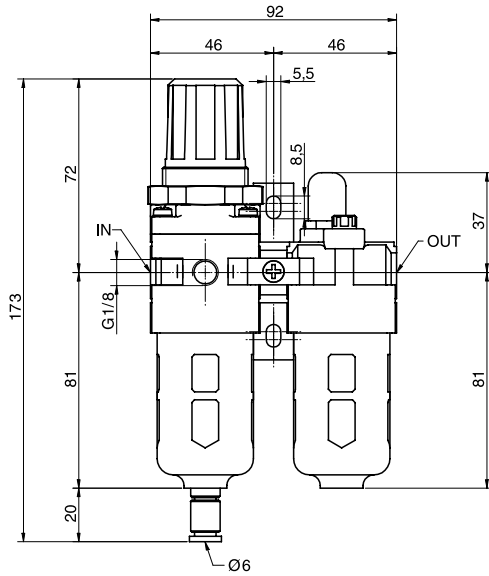
The gauges are to be ordered separately; for gauges see from page 3.50.1

For mounting accessories, assembling kits and spare parts see from page 3.5.1

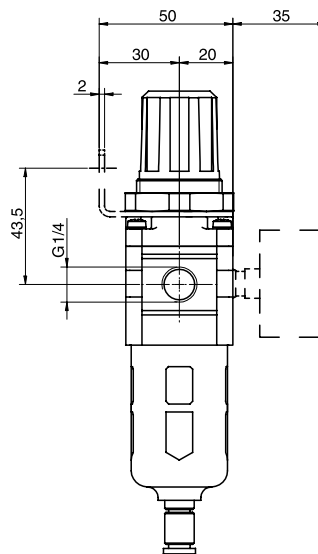
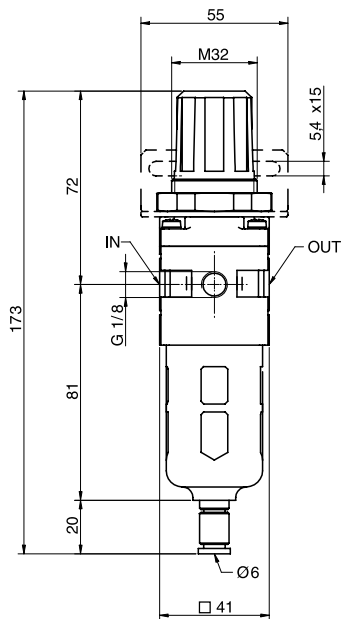
How to order: A14FRR5TM

A14FRR	5	TM
Version	Option	Option

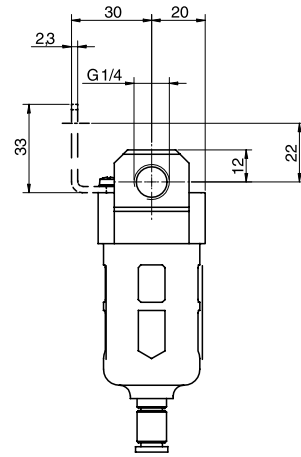
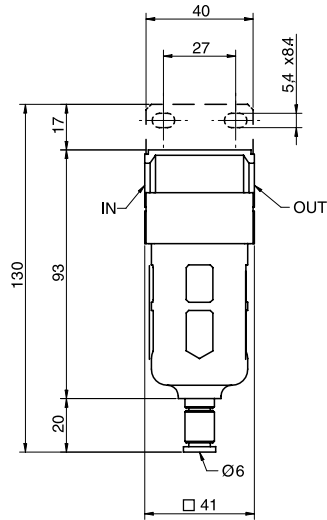
Technical data															
Fluid	Compressed air														
Maximum pressure	10 bar														
Regulation range	0,5 ÷ 8,5 bar														
Flow at 6 bar (NI/min)	A14FRRL = 500; A14FRR = 750; A14F = 750; A14R = 550; A14L = 800														
Temperature range	0 ÷ 60 °C														
Suggested oil	With ISO VG 32 viscosity conforming to ISO 3448 standards														
Cup capacity	Filter : 15 cm ³ Lubricator : 25 cm ³														
Filtering element	Standard 25 µ - On request 5 µ														
Condensate drain	Standard semi-automatic														
Materials	<table border="0"> <tr> <td>Body and cup protection</td> <td>Painted aluminium</td> </tr> <tr> <td>Regulation group</td> <td>Plastic</td> </tr> <tr> <td>Condensate drain</td> <td>Nickel plated brass</td> </tr> <tr> <td>Filtering element</td> <td>Sintered bronze</td> </tr> <tr> <td>Diaphragm</td> <td>Nitrile rubber (NBR)</td> </tr> <tr> <td>Cup and sight glass</td> <td>Polycarbonate</td> </tr> <tr> <td>Springs</td> <td>Steel</td> </tr> </table>	Body and cup protection	Painted aluminium	Regulation group	Plastic	Condensate drain	Nickel plated brass	Filtering element	Sintered bronze	Diaphragm	Nitrile rubber (NBR)	Cup and sight glass	Polycarbonate	Springs	Steel
Body and cup protection	Painted aluminium														
Regulation group	Plastic														
Condensate drain	Nickel plated brass														
Filtering element	Sintered bronze														
Diaphragm	Nitrile rubber (NBR)														
Cup and sight glass	Polycarbonate														
Springs	Steel														



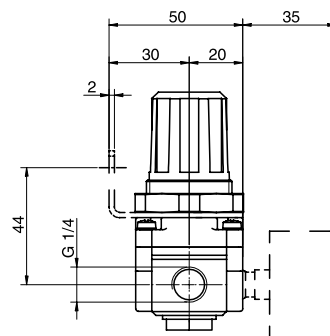
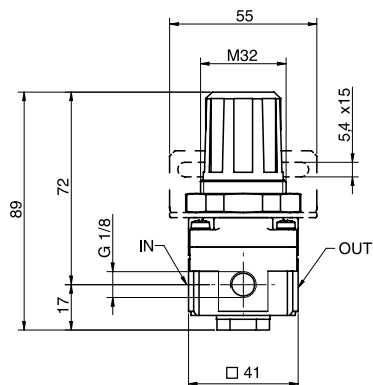
Version	Symbol	Code	Item
Filter-regulator + lubricator		090100	A14FRRL



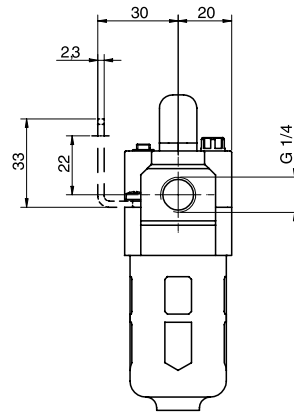
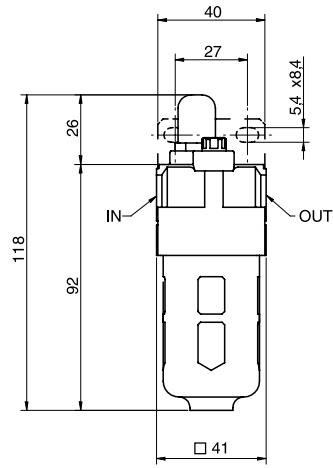
Version	Symbol	Code	Item
Filter-regulator		090101	A14FRR

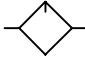


Version	Symbol	Code	Item
Filter		090102	A14F

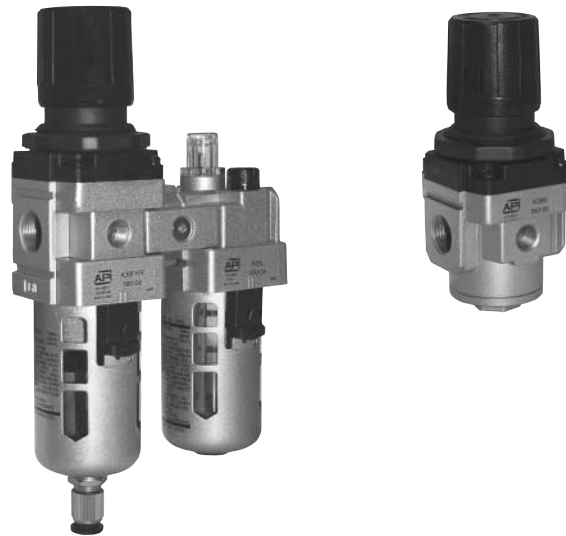


Version	Symbol	Code	Item
Regulator		090103	A14R



Version	Symbol	Code	Item
Lubricator		090104	A14L

Executions			
Version	Symbol	Code	Item
Filter-regulator + lubricator		090105	A38FRRL
Filter-regulator		090106	A38FRR
Filter		090107	A38F
Regulator		090108	A38R
Lubricator		090109	A38L



Series of modular units with the following standard features :

- Regulators with relieving valve
- Filters standard with 25µ cartridge
- Filters with semi-automatic condensate drain
- Cup with protection

The gauges are to be ordered separately; for gauges see from page 3.50.1

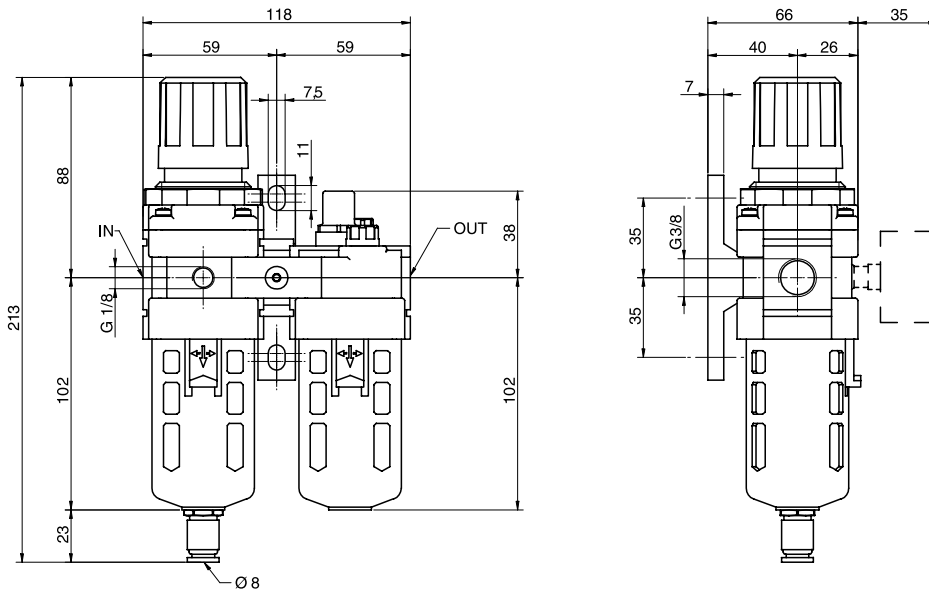
For mounting accessories, assembling kits and spare parts see from page 3.5.1

How to order: A38F5SA

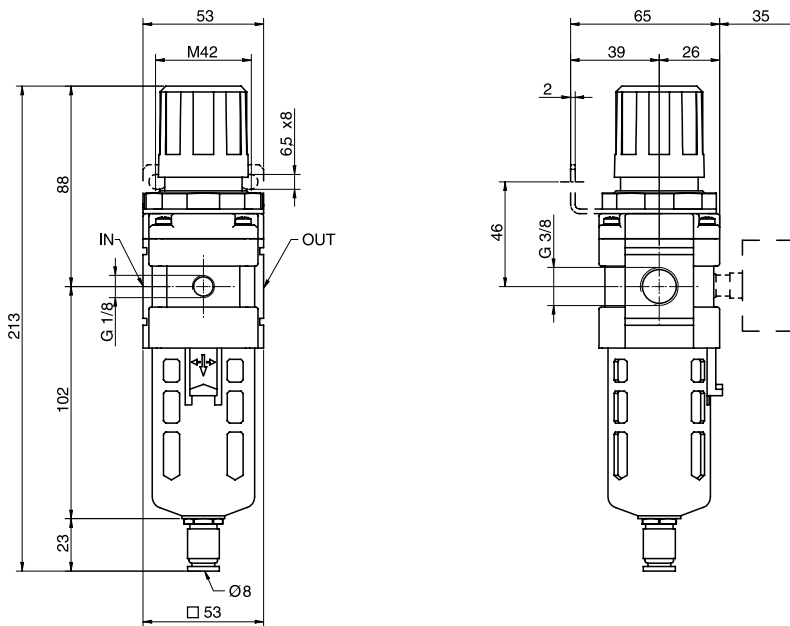
A38F	5	SA
Version	Option	Option

Options	Suffix
Filter 5 µ cartridge	5
Automatic condensate drain for filters	SA
Metal cup	TM
With regulation range 0,5÷4 bar	04

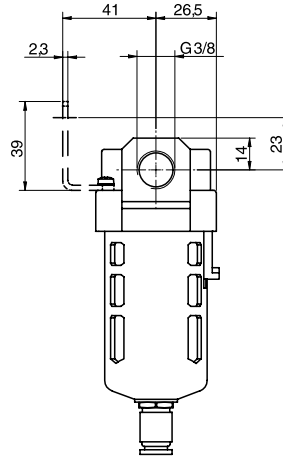
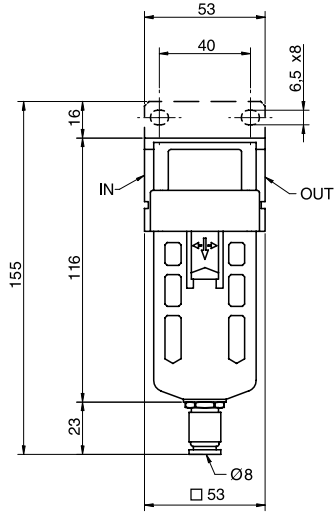
Technical data															
Fluid	Compressed air														
Maximum pressure	10 bar														
Regulation range	0,5 ÷ 8,5 bar														
Flow at 6 bar (NI/min)	A38FRRL = 1700; A38FRR = 2000; A38F = 1500; A38R = 2500; A38L = 1700														
Temperature range	0 ÷ 60 °C														
Suggested oil	With ISO VG 32 viscosity conforming to ISO 3448 standards														
Cup capacity	Filter : 20 cm ³ Lubricator : 50 cm ³														
Filtering element	Standard 25 µ - On request 5 µ														
Condensate drain	Standard semi-automatic - On request automatic														
Materials	<table border="0"> <tr> <td>Body and cup protection</td> <td>Painted aluminium</td> </tr> <tr> <td>Regulation group</td> <td>Plastic</td> </tr> <tr> <td>Condensate drain</td> <td>Nickel plated brass</td> </tr> <tr> <td>Filtering element</td> <td>Sintered bronze</td> </tr> <tr> <td>Diaphragm</td> <td>Nitrile rubber (NBR)</td> </tr> <tr> <td>Cup and sight glass</td> <td>Polycarbonate</td> </tr> <tr> <td>Springs</td> <td>Steel</td> </tr> </table>	Body and cup protection	Painted aluminium	Regulation group	Plastic	Condensate drain	Nickel plated brass	Filtering element	Sintered bronze	Diaphragm	Nitrile rubber (NBR)	Cup and sight glass	Polycarbonate	Springs	Steel
Body and cup protection	Painted aluminium														
Regulation group	Plastic														
Condensate drain	Nickel plated brass														
Filtering element	Sintered bronze														
Diaphragm	Nitrile rubber (NBR)														
Cup and sight glass	Polycarbonate														
Springs	Steel														



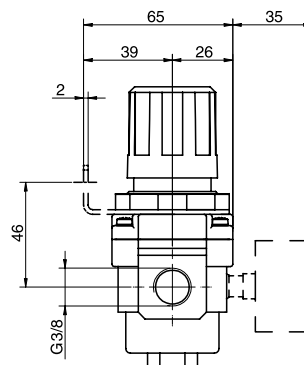
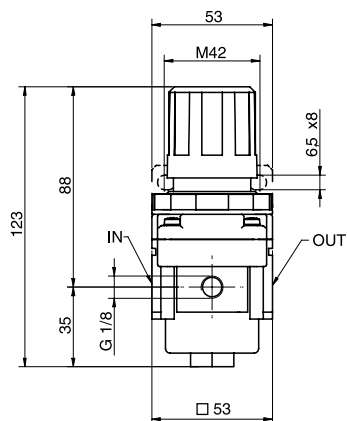
Version	Symbol	Code	Item
Filter-regulator + lubricator		090105	A38FRRL



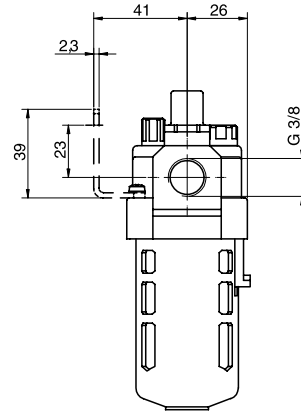
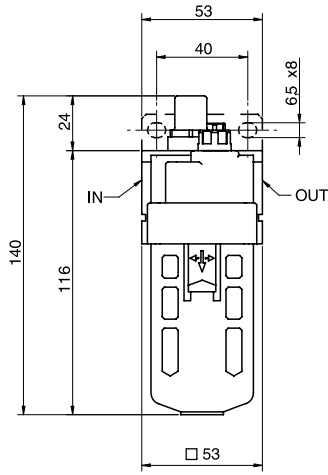
Version	Symbol	Code	Item
Filter-regulator		090106	A38FRR



Version	Symbol	Code	Item
Filter		090107	A38F



Version	Symbol	Code	Item
Regulator		090108	A38R



Version	Symbol	Code	Item
Lubricator		090109	A38L

Executions			
Version	Symbol	Code	Item
Filter-regulator + lubricator		090110	A12FRRL
Filter-regulator		090111	A12FRR
Filter		090112	A12F
Regulator		090113	A12R
Lubricator		090114	A12L



Options	Suffix
Filter 5 µ cartridge	5
Automatic condense drain for filters	SA
Metal cup	TM
With regulation range 0,5÷4 bar	04

Series of modular units with the following standard features :

- Regulators with relieving valve
- Filters standard with 25µ cartridge
- Filters with semi-automatic condense drain
- Cup with protection

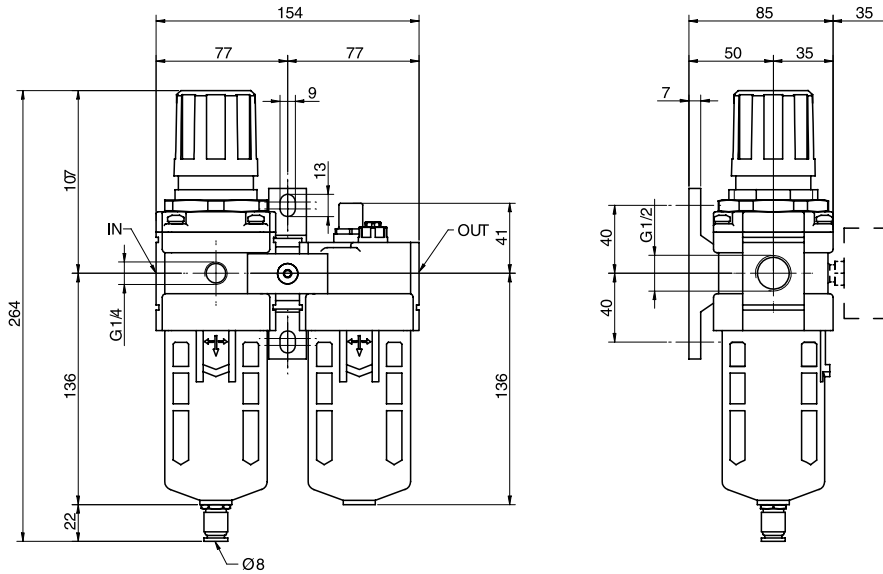
The gauges are to be ordered separately; for gauges see from page 3.50.1

For mounting accessories, assembling kits and spare parts see from page 3.5.1

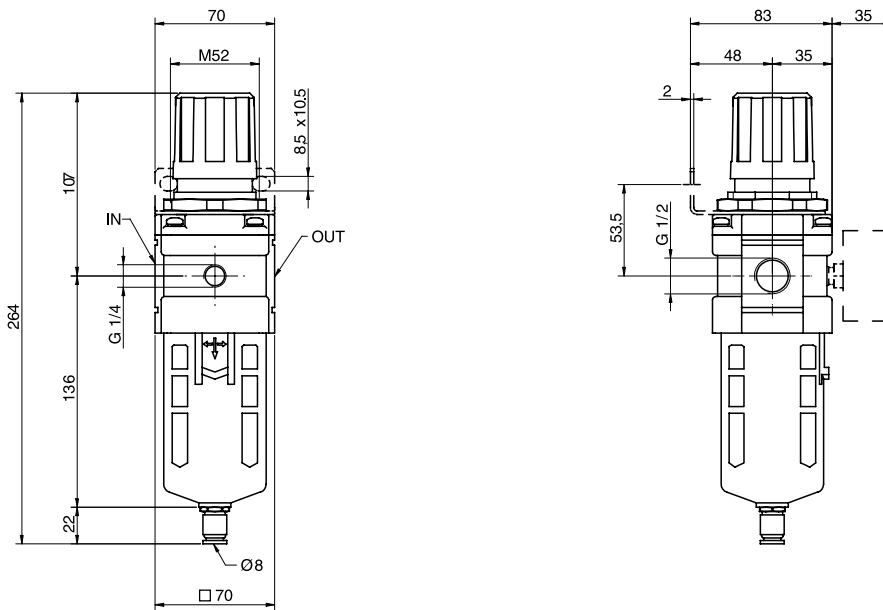
How to order: A12FRR04SA

A12FRR	04	SA
Version	Option	Option

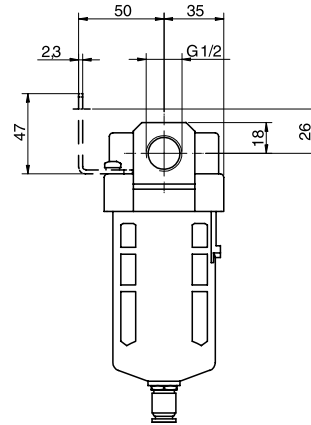
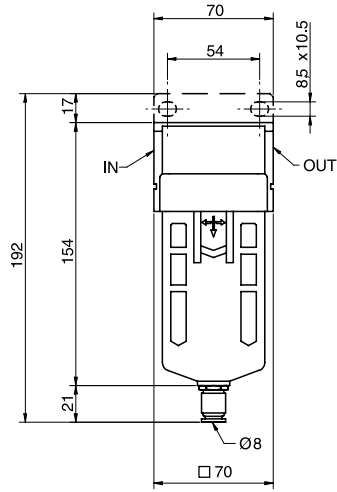
Technical data															
Fluid	Compressed air														
Maximum pressure	10 bar														
Regulation range	0,5 ÷ 8,5 bar														
Flow at 6 bar (NI/min)	A12FRRL = 3000; A12FRR = 4000; A12F = 4000; A12R = 6000; A12L = 5000														
Temperature range	0 ÷ 60 °C														
Suggested oil	With ISO VG 32 viscosity conforming to ISO 3448 standards														
Cup capacity	Filter : 45 cm ³ Lubricator : 130 cm ³														
Filtering element	Standard 25 µ - On request 5 µ														
Condense drain	Standard semi-automatic - On request automatic														
Materials	<table border="0"> <tr> <td>Body and cup protection</td> <td>Painted aluminium</td> </tr> <tr> <td>Regulation group</td> <td>Plastic</td> </tr> <tr> <td>Condense drain</td> <td>Nickel plated brass</td> </tr> <tr> <td>Filtering element</td> <td>Sintered bronze</td> </tr> <tr> <td>Diaphragm</td> <td>Nitrile rubber (NBR)</td> </tr> <tr> <td>Cup and sight glass</td> <td>Polycarbonate</td> </tr> <tr> <td>Springs</td> <td>Steel</td> </tr> </table>	Body and cup protection	Painted aluminium	Regulation group	Plastic	Condense drain	Nickel plated brass	Filtering element	Sintered bronze	Diaphragm	Nitrile rubber (NBR)	Cup and sight glass	Polycarbonate	Springs	Steel
Body and cup protection	Painted aluminium														
Regulation group	Plastic														
Condense drain	Nickel plated brass														
Filtering element	Sintered bronze														
Diaphragm	Nitrile rubber (NBR)														
Cup and sight glass	Polycarbonate														
Springs	Steel														



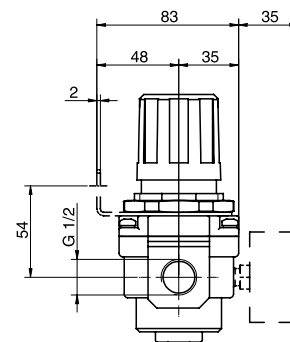
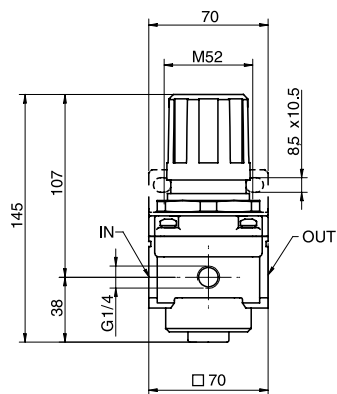
Version	Symbol	Code	Item
Filter-regulator + lubricator		090110	A12FRRL



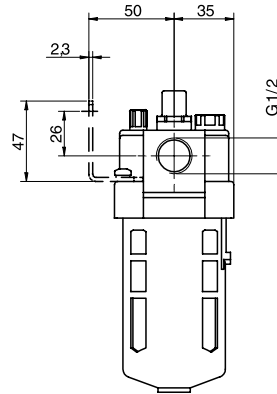
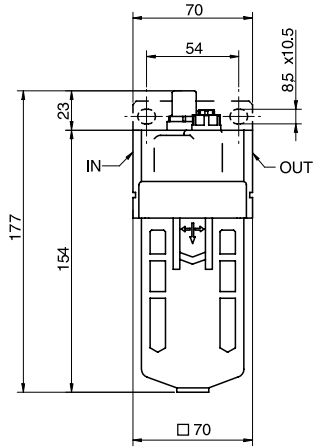
Version	Symbol	Code	Item
Filter-regulator		090111	A12FRR



Version	Symbol	Code	Item
Filter		090112	A12F



Version	Symbol	Code	Item
Regulator		090113	A12R



Version	Symbol	Code	Item
Lubricator		090114	A12L

Executions			
Version	Symbol	Code	Item
Filter-regulator + lubricator		090115	A01FRRL
Filter-regulator		090116	A01FRR
Filter		090117	A01F
Regulator		090118	A01R
Lubricator		090119	A01L



Options	Suffix
Filter 5 μ cartridge	5
Automatic condense drain for filters	SA
Metal cup	TM
With regulation range 0,5÷4 bar	04

Series of modular units with the following standard features :

- Regulators with relieving valve
- Filters standard with 25μ cartridge
- Filters with semi-automatic condense drain
- Cup with protection

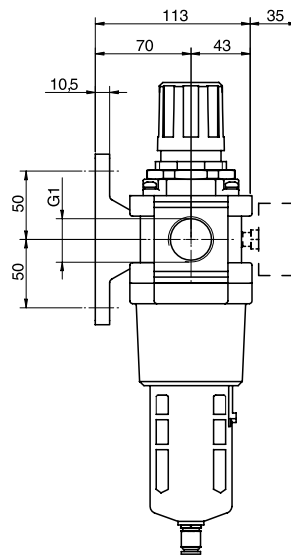
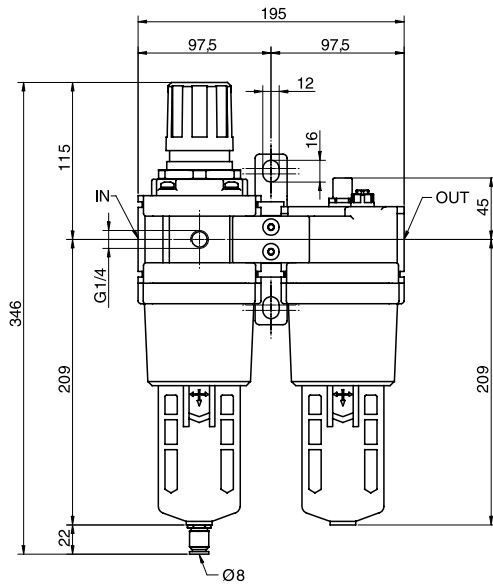
The gauges are to be ordered separately; for gauges see from page 3.50.1

For mounting accessories, assembling kits and spare parts see from page 3.5.1

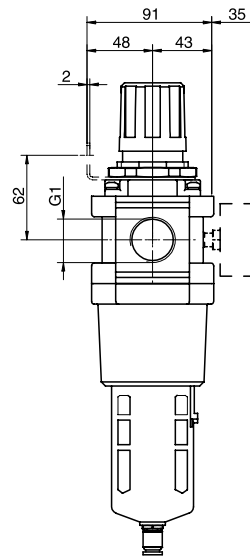
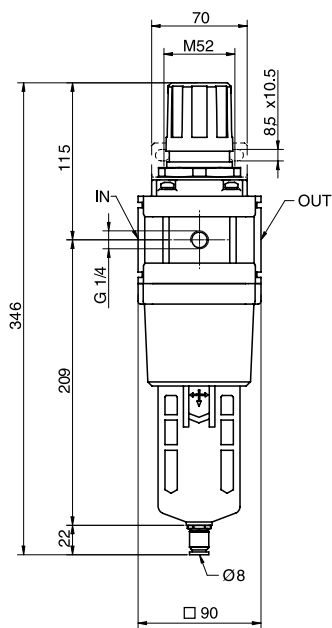
How to order: A01FTMSA

A01F	TM	SA
Version	Option	Option

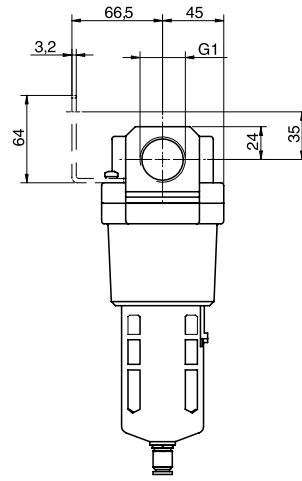
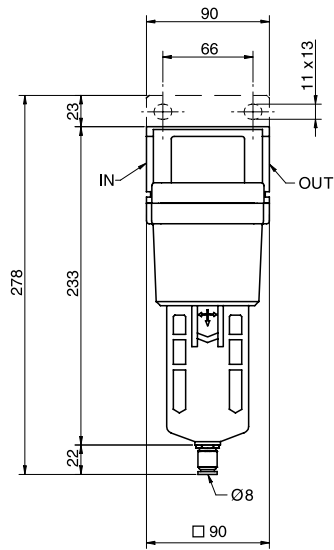
Technical data															
Fluid	Compressed air														
Maximum pressure	10 bar														
Regulation range	0,5 ÷ 8,5 bar														
Flow at 6 bar (NI/min)	A01FRRL = 4000; A101FRR = 5500; A01F = 7000; A01R = 8000; A01L = 7000														
Temperature range	0 ÷ 60 °C														
Lubrificante consigliato	With ISO VG 32 viscosity conforming to ISO 3448 standards														
Cup capacity	Filter : 130 cm ³ Lubricator : 130 cm ³														
Elemento filtrante	Standard 25 μ - A richiesta 5 μ														
Filtering element	Standard semi-automatic - On request automatic														
Materials	<table border="0"> <tr> <td>Body and cup protection</td> <td>Painted aluminium</td> </tr> <tr> <td>Regulation group</td> <td>Plastic</td> </tr> <tr> <td>Condense drain</td> <td>Nickel plated brass</td> </tr> <tr> <td>Filtering element</td> <td>Sintered bronze</td> </tr> <tr> <td>Diaphragm</td> <td>Nitrile rubber (NBR)</td> </tr> <tr> <td>Cup and sight glass</td> <td>Polycarbonate</td> </tr> <tr> <td>Springs</td> <td>Steel</td> </tr> </table>	Body and cup protection	Painted aluminium	Regulation group	Plastic	Condense drain	Nickel plated brass	Filtering element	Sintered bronze	Diaphragm	Nitrile rubber (NBR)	Cup and sight glass	Polycarbonate	Springs	Steel
Body and cup protection	Painted aluminium														
Regulation group	Plastic														
Condense drain	Nickel plated brass														
Filtering element	Sintered bronze														
Diaphragm	Nitrile rubber (NBR)														
Cup and sight glass	Polycarbonate														
Springs	Steel														



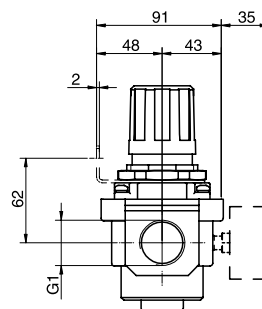
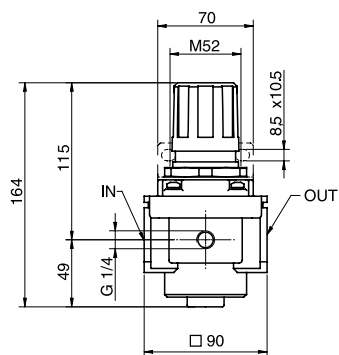
Version	Symbol	Code	Item
Filter-regulator + lubricator		090115	A01FRRL



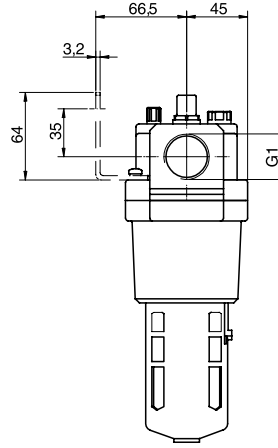
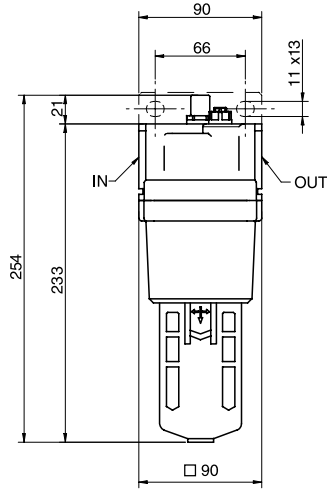
Version	Symbol	Code	Item
Filter-regulator		090116	A01FRR



Version	Symbol	Code	Item
Filter		090117	A01F



Version	Symbol	Code	Item
Regulator		090118	A01R



Version	Symbol	Code	Item
Lubricator		090119	A01L

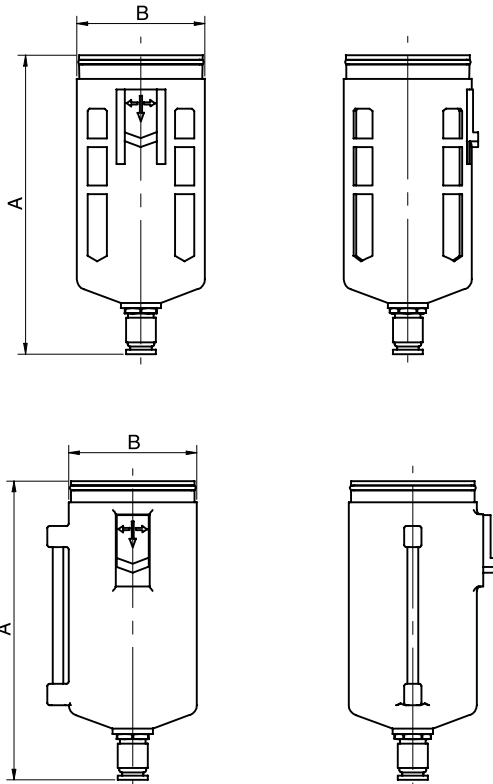
Executions	
Version	Type
Automatic condense drain (for filters 3/8" - 1/2" - 1")	ASA..
Metal cup for filter	TM..F
Metal cup for lubricator	TM..L
"T" porting block	DT..
"L" spacer with bracket	DSL..
"L" bracket	SL..
"T" spacer with bracket	DST..
"T" bracket	ST..
Bracket for regulator and filter-regulator	SR..
Bracket for filter and lubricator	SFL..
Spacer	D..
Manual condense drain valve	VMS..
Polycarbonate cup for filter with metal protection	TP..F
Polycarbonate cup for lubricator with metal protection	TP..L
Standard filter cartridge (25 µ)	CA../25
Filter cartridge 5 µ	CA../5
Diaphragm for regulator	DF..
Oil regulation kit	OL..
Cup seal	ORT..



3

Version	Code	Item
Automatic condense drain (for filters 3/8" - 1/2" - 1")	090120	ASA381201

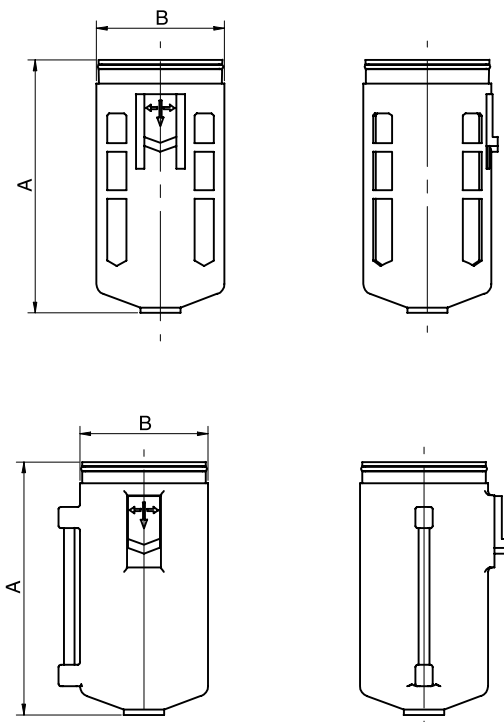
Cup for filter



Polycarbonate with metal protection				
Code	Size	Item	A	B
090155	1/4"	TP14F	92	36
090156	3/8"	TP38F	114	44
090157	1/2"	TP12F	140	60
090158	1"	TP01F	140	60

Metal cup				
Code	Size	Item	A	B
090121	1/4"	TM14F	92	36
090122	3/8"	TM38F	114	44
090123	1/2"	TM12F	140	60
090124	1"	TM01F	140	60

Cup for lubricator



Polycarbonate with metal protection				
Code	Size	Item	A	B
090159	1/4"	TP14L	72	36
090160	3/8"	TP38L	90	44
090161	1/2"	TP12L	118	60
090162	1"	TP01L	118	60

Metal cup				
Code	Size	Item	A	B
090125	1/4"	TM14L	72	36
090126	3/8"	TM38L	90	44
090127	1/2"	TM12L	118	60
090128	1"	TM01L	118	60

"T" porting block

Code	Item	Size	A	B	C	G
090129	DT14	1/4"	10	19	29	1/4"
090130	DT38	3/8"	11	19	33	1/4"
090131	DT12	1/2"	14	24	39	3/8"
090132	DT01	1"	15	30	50,5	1/2"

"L" spacer with bracket

Code	Item	Size	E	F	L	G
090133	DSL14	1/4"	30	5	33	10
090134	DSL38	3/8"	41	7	45	11
090135	DSL12	1/2"	50	7	50	14
090136	DSL01	1"	69,8	10,5	63	15

For bracket dimensions see below table (type SL)

"L" bracket

Code	Item	Size	A	B	C	D	F	R
090163	SL14	1/4"	24	15	5,5	3	5	2,75
090164	SL38	3/8"	35	16	7	4	7	3,5
090165	SL12	1/2"	40	22	9	4	7	4,5
090166	SL01	1"	50	23	12	4	10,5	6

"T" spacer with bracket

Code	Item	Size	E	F	L	G
090137	DST14	1/4"	30	5	33	10
090138	DST38	3/8"	41	7	45	11
090139	DST12	1/2"	50	7	50	14
090140	DST01	1"	69,8	10,5	63	15

For bracket dimensions see next page table (type ST)

"T" bracket

Code	Item	Size	A	B	C	D	F	H	R
090167	ST14	1/4"	24	15	5,5	3	5	48	2,75
090168	ST38	3/8"	35	16	7	4	7	70	3,5
090169	ST12	1/2"	40	22	9	4	7	80	4,5
090170	ST01	1"	50	23	12	4	10,5	100	6

Bracket for regulator and filter-regulator

Code	Item	Size	A	B	C	D	F	G	H	J	K	L	N	R
090141	SR14	1/4"	55	34	25	19	50	30	33,5	20	1	15	5,4	2,7
090142	SR38	3/8"	53	40	21,5	14	64	39	42,5	25	1,5	8	6,5	3,25
090143	SR1201	1/2" - 1"	70	54	27	18	79,2	49,2	52,5	30	2	10,5	8,5	4,25

Bracket for filter and lubricator

Code	Item	Size	A	B	C	D	F	ΦH	J	K	L	M	N	R	T
090144	SFL14	1/4"	40	27	33	27	18	4,5	26	3	8,4	14	5,4	2,7	2,3
090145	SFL38	3/8"	53	40	39	32	22,5	4,5	35	1,5	8	19	6,5	3,25	2,3
090146	SFL12	1/2"	70	54	47	38	31,5	5,5	47	2	10,5	20	8,5	4,25	2,3
090147	SFL01	1"	90	66	64	52	43	6,5	60	2	13	29	11	5,5	3,2

Spacer

Code	Item	Size	A
090148	D14	1/4"	10
090149	D38	3/8"	11
090150	D12	1/2"	14
090151	D01	1"	15

Manual condense drain valve

Code	Item	Size	G	R	A	B	C	D	E	F	H	I	J
090152	VMS14	1/4"	G1/4	G1/8	40	59	39	28	22	40	32	41	Ø6
090153	VMS38	3/8"	G3/8	G1/4	53	78	49	30	28	45	41,5	53	Ø7,5
090154	VMS12	1/2"	G1/2	G3/8	70	84	52	36	36	45	41,5	53	Ø7,5

Standard filter 25µ cartridge

Code	Size	Item
090171	1/4"	CA14/25
090172	3/8"	CA38/25
090173	1/2"	CA12/25
090174	1"	CA01/25

Filter 5µ cartridge

Code	Size	Item
090175	1/4"	CA14/5
090176	3/8"	CA38/5
090177	1/2"	CA12/5
090178	1"	CA01/5

Diaphragm for regulator

Code	Size	Item
090179	1/4"	DF14
090180	3/8"	DF38
090181	1/2"	DF12
090182	1"	DF01

Oil regulation kit

Code	Size	Item
090183	1/4"	OL14
090184	3/8"	OL38
090185	1/2"	OL12
090186	1"	OL01

Guarnizione tazza

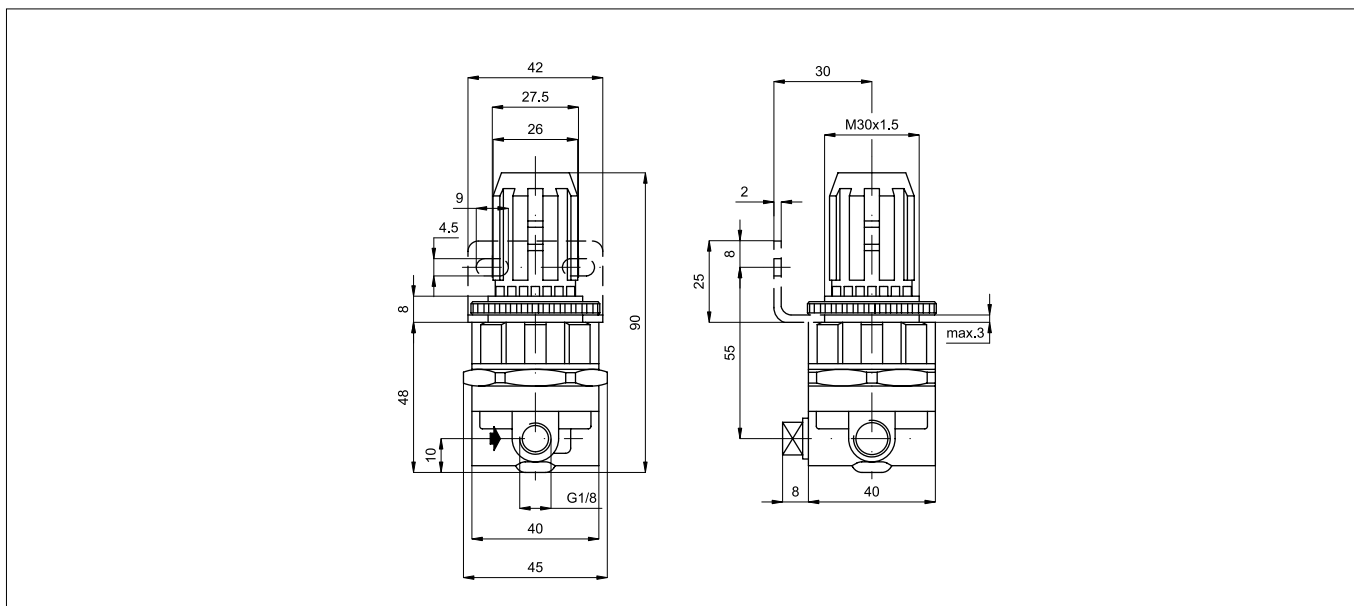
Code	Size	Item
090187	1/4"	ORT14
090188	3/8"	ORT38
090189	1/2"	ORT12
090190	1"	ORT01

Executions			
Version	Symbol	Code	Item
1/8"		090301	AC400-1/8RR
1/4"		090305	AC400-1/4RR



Series of microregulators, standard with relieving valve.
Used to reduce and keep constant the out pressure.
Standard without gauge.

For gauges see page 3.50.1.
The mounting bracket is supplied together with the unit.



Technical data	
Fluid	Compressed air
Maximum pressure	10 bar
Regulation range	0,5 ÷ 8 bar
Flow	1/8"= 300 l/min 1/4"= 550 l/min
Temperature range	0 °C ÷ + 60°C
Materials	Acetal resin Seals: Nitrile rubber (NBR)

Standard executions		
Version	Symbol	Type
With rear connection		M
With in-line connection		MR
With rear connection and flange (3 holes)		MF
With rear connection and panel bracket		MP

Dial ø	40	50	63
Code	40	50	63

Connection	1/8"	1/4"
Code	A	B

Standard scales (bar)	-1 ÷ 0	0 ÷ 1	0 ÷ 2,5	0 ÷ 4	0 ÷ 6	0 ÷ 10	0 ÷ 12
-----------------------	--------	-------	---------	-------	-------	--------	--------



Series of dry pressure-gauges available in various versions and scales.

Suitable to measure pressure in pneumatic installations.

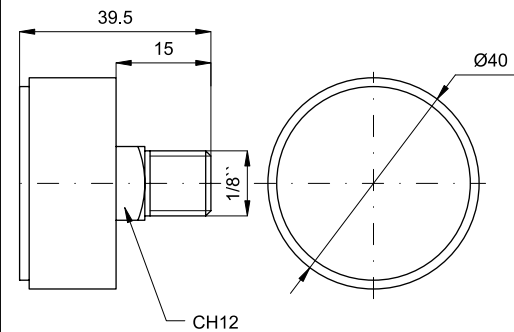
* How to order: M40A0 ÷ 12

M	40	A	0 ÷ 12
Type	Dial code	Connection code	Scale

* For standard items, codes and dimensions see table from page 3.50.2.

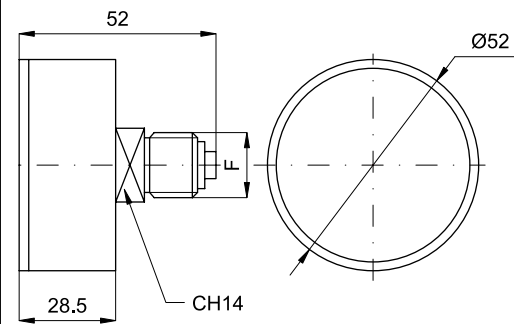
Technical data				
Fluid	Compressed air			
Pressure	Constant: till 3/4 of the full scale			
	Variable: within 2/3 of the full scale			
	Pulsed: till the full scale			
Temperature range	-20 °C ÷ + 60°C			
Protection degree	IP41			
Precision	Class 1.6			
Threads	UNI-ISO 7/1 (BSPT)			
Materials		Type M-MR	Type MF	Type MP
	Housing	Black ABS	Chrome plated steel Black painted steel	Chrome plated steel
	Screen	Kostil		
	Connection	Brass OT58		
	Elastic element	Tubular spring in copper alloy		
	Movement	Brass		
	Dial	White ABS with double scale (black = bar; red = PSI)		
Welding	Sn/Pb alloy			

type: **M40A**



Code	Item	Scale (bar)
028501	M40A-1÷0	-1 ÷ 0
028601	M40A0÷1	0 ÷ 1
028651	M40A0÷2,5	0 ÷ 2,5
028701	M40A0÷4	0 ÷ 4
028801	M40A0÷6	0 ÷ 6
028851	M40A0÷10	0 ÷ 10
028901	M40A0÷12	0 ÷ 12

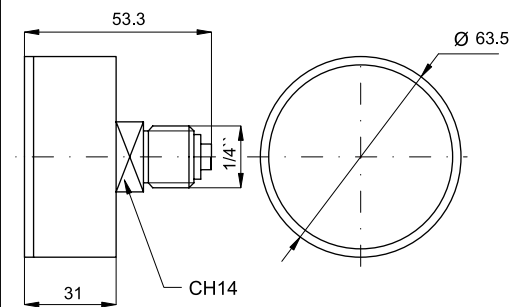
type: **M50**



Code	Item	Scale (bar)	F
028502	M50A-1÷0	-1 ÷ 0	1/8"
028602	M50A0÷1	0 ÷ 1	
028900	M50A0÷2,5	0 ÷ 2,5	
028702	M50A0÷4	0 ÷ 4	
028802	M50A0÷6	0 ÷ 6	
028915	M50A0÷10	0 ÷ 10	
028902	M50A0÷12	0 ÷ 12	

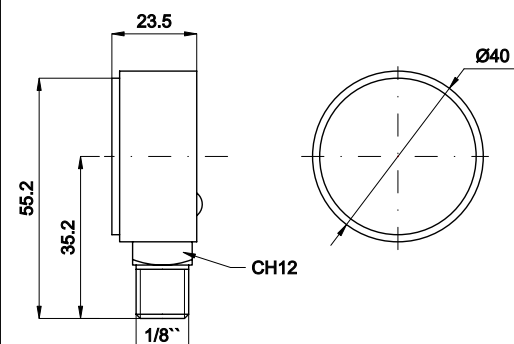
Code	Item	Scale (bar)	F
028925	M50B-1÷0	-1 ÷ 0	1/4"
028972	M50B0÷1	0 ÷ 1	
028994	M50B0÷2,5	0 ÷ 2,5	
028917	M50B0÷4	0 ÷ 4	
028992	M50B0÷6	0 ÷ 6	
028993	M50B0÷10	0 ÷ 10	
028913	M50B0÷12	0 ÷ 12	

type: **M63B**



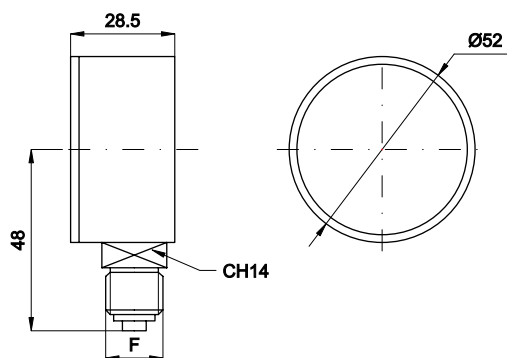
Code	Item	Scale (bar)
028503	M63B-1÷0	-1 ÷ 0
028603	M63B0÷1	0 ÷ 1
028995	M63B0÷2,5	0 ÷ 2,5
028703	M63B0÷4	0 ÷ 4
028803	M63B0÷6	0 ÷ 6
028996	M63B0÷10	0 ÷ 10
028903	M63B0÷12	0 ÷ 12

type: **MR40A**



Code	Item	Scale (bar)
028504	MR40A-1÷0	-1 ÷ 0
028604	MR40A0÷1	0 ÷ 1
028654	MR40A0÷2,5	0 ÷ 2,5
028704	MR40A0÷4	0 ÷ 4
028804	MR40A0÷6	0 ÷ 6
028997	MR40A0÷10	0 ÷ 10
028904	MR40A0÷12	0 ÷ 12

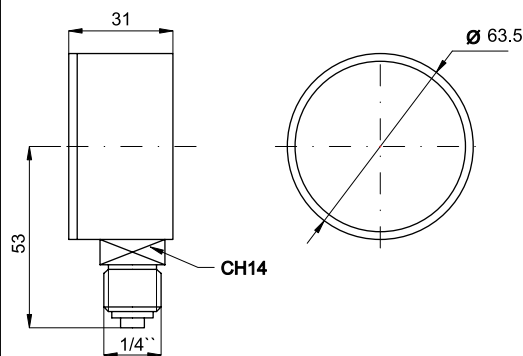
type: **MR50**



Code	Item	Scale (bar)	F
028505	MR50A -1÷0	-1 ÷ 0	1/8"
028605	MR50A0÷1	0 ÷ 1	
028998	MR50A0÷2,5	0 ÷ 2,5	
028705	MR50A0÷4	0 ÷ 4	
028805	MR50A0÷6	0 ÷ 6	
028999	MR50A0÷10	0 ÷ 10	
028914	MR50A0÷12	0 ÷ 12	

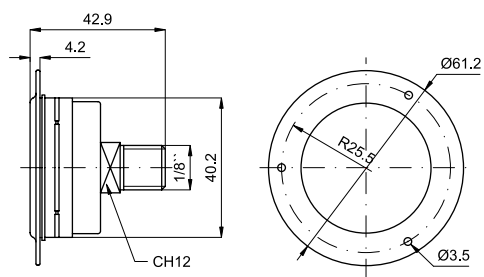
Code	Item	Scale (bar)	F
029000	MR50B -1÷0	-1 ÷ 0	1/4"
029007	MR50B0÷1	0 ÷ 1	
029008	MR50B0÷2,5	0 ÷ 2,5	
028976	MR50B0÷4	0 ÷ 4	
028977	MR50B0÷6	0 ÷ 6	
029009	MR50B0÷10	0 ÷ 10	
028905	MR50B0÷12	0 ÷ 12	

type: **MR63B**



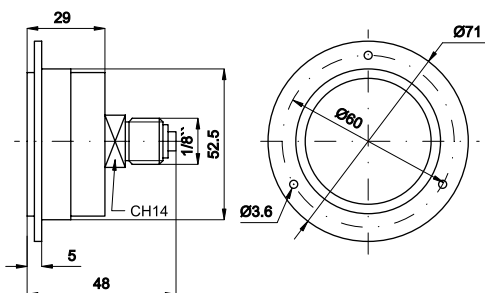
Code	Item	Scale (bar)
028506	MR63B-1÷0	-1 ÷ 0
028606	MR63B0÷1	0 ÷ 1
028656	MR63B0÷2,5	0 ÷ 2,5
028706	MR63B0÷4	0 ÷ 4
028806	MR63B0÷6	0 ÷ 6
029011	MR63B0÷10	0 ÷ 10
028906	MR63B0÷12	0 ÷ 12

type: **MF40A**



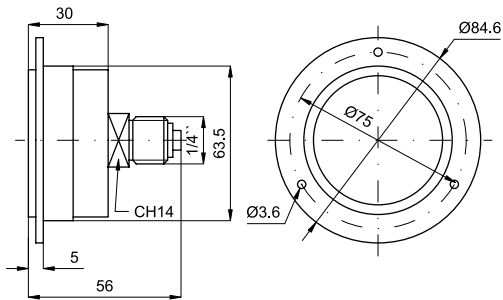
Code	Item	Scale (bar)
028510	MF40A-1÷0	-1 ÷ 0
028610	MF40A0÷1	0 ÷ 1
028663	MF40A0÷2,5	0 ÷ 2,5
028710	MF40A0÷4	0 ÷ 4
028810	MF40A0÷6	0 ÷ 6
029012	MF40A0÷10	0 ÷ 10
028910	MF40A0÷12	0 ÷ 12

type: **MF50A**



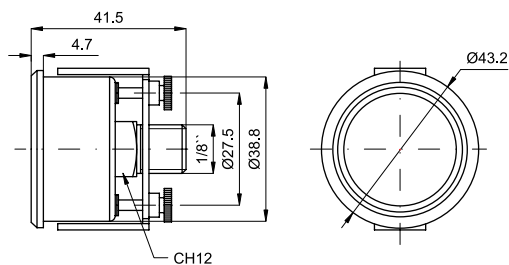
Code	Item	Scale (bar)
029013	MF50A-1÷0	-1 ÷ 0
028611	MF50A0÷1	0 ÷ 1
029014	MF50A0÷2,5	0 ÷ 2,5
028711	MF50A0÷4	0 ÷ 4
028811	MF50A0÷6	0 ÷ 6
028911	MF50A0÷12	0 ÷ 12

type: MF63B



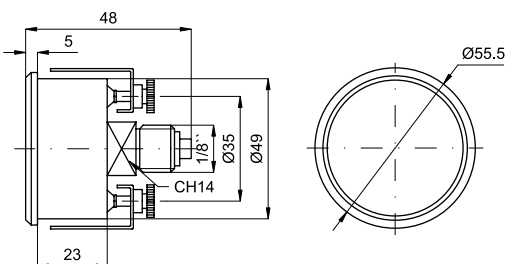
Code	Item	Scale (bar)
028512	MF63B-1÷0	-1 ÷ 0
028612	MF63B0÷1	0 ÷ 1
028662	MF63B0÷2,5	0 ÷ 2,5
028712	MF63B0÷4	0 ÷ 4
028812	MF63B0÷6	0 ÷ 6
028862	MF63B0÷10	0 ÷ 10
028912	MF63B0÷12	0 ÷ 12

type: MP40A



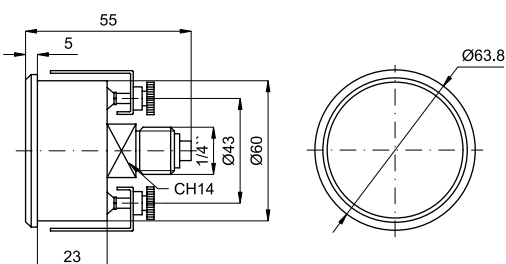
Code	Item	Scale (bar)
028507	MP40A-1÷0	-1 ÷ 0
028607	MP40A0÷1	0 ÷ 1
028713	MP40A0÷2,5	0 ÷ 2,5
028707	MP40A0÷4	0 ÷ 4
028807	MP40A0÷6	0 ÷ 6
029016	MP40A0÷10	0 ÷ 10
028907	MP40A0÷12	0 ÷ 12

type: MP50A



Code	Item	Scale (bar)
028508	MP50A-1÷0	-1 ÷ 0
028608	MP50A0÷1	0 ÷ 1
029017	MP50A0÷2,5	0 ÷ 2,5
028708	MP50A0÷4	0 ÷ 4
028808	MP50A0÷6	0 ÷ 6
029018	MP50A0÷10	0 ÷ 10
028908	MP50A0÷12	0 ÷ 12

type: MP63A



Code	Item	Scale (bar)
028509	MP63B-1÷0	-1 ÷ 0
028609	MP63B0÷1	0 ÷ 1
028613	MP63B0÷2,5	0 ÷ 2,5
028709	MP63B0÷4	0 ÷ 4
028809	MP63B0÷6	0 ÷ 6
028860	MP63B0÷10	0 ÷ 10
028909	MP63B0÷12	0 ÷ 12