

Valves series A1

1/4", 5/2 - 5/3, manually operated



Executions			
Version	Symbol	Code	Item
5/2 side lever 1 position		034078	A1MA250LL
5/2 side lever 2 positions		034079	A1MA251LL
5/3 side lever closed centres, 1 position		034072	A1MA270LL
5/3 side lever open centres, 1 position		034081	A1MA271LL
5/3 side lever pressurised centres, 1 position		034080	A1MA272LL
5/3 side lever closed centres, 3 positions		034075	A1MA273LL
5/3 side lever open centres, 3 positions		034073	A1MA274LL
5/3 side lever pressurised centres, 3 positions		034074	A1MA275LL
5/2 top lever 2 positions		034105	A1MA251LT
5/2 push-pull 1 position		034106	A1MA250TT
5/2 push-pull 2 positions		034107	A1MA251TT



On request, they can be supplied according Directive 94/9/EC - **ATEX**
CE **II 2 GDc T5**



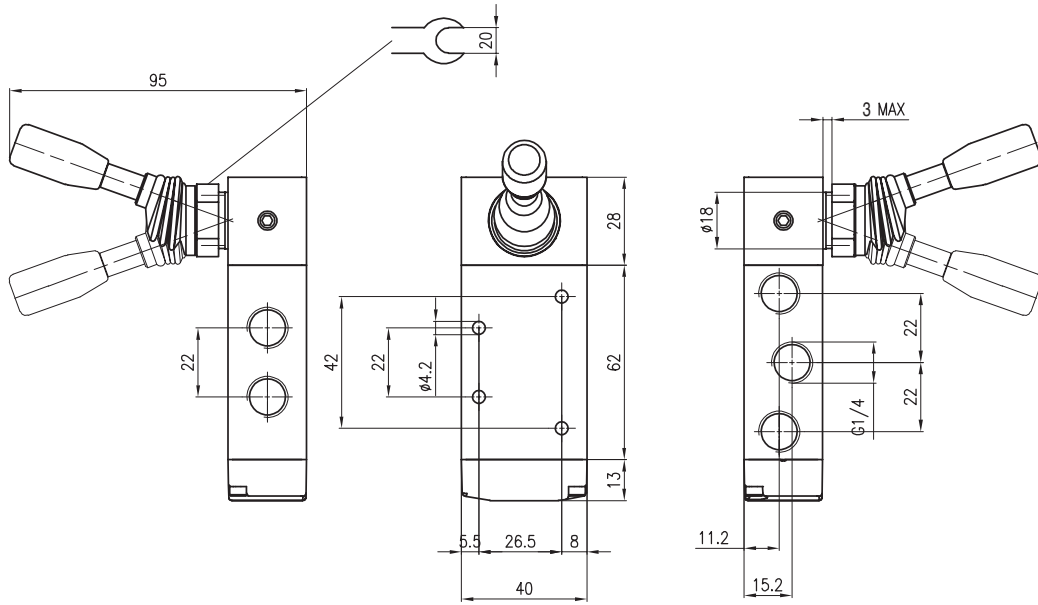
Series of spool valves, with static seals, high flow, for panel or sub-base mounting.

Code key

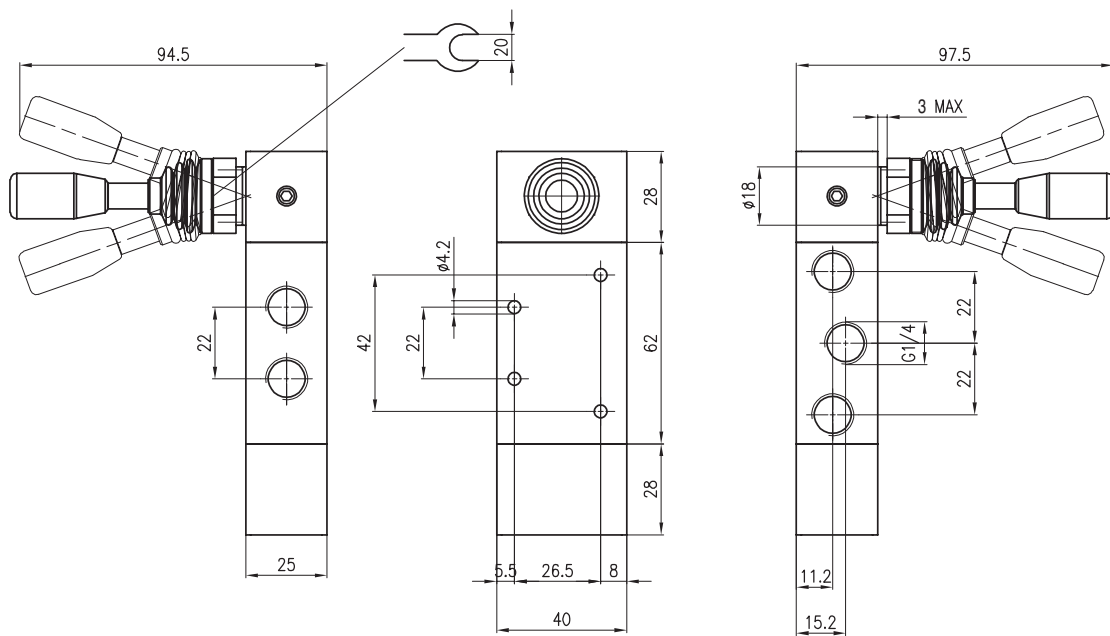
Series	Actuation	Size	Function	Actuation
A1	MA=Manual	1 = 1/8"	30 = 3/2 NC spring return	LL = side lever
			32 = 3/2 two stable positions	LT = top lever
		2 = 1/4"	50 = 5/2 spring return	TT = push-pull
			51 = 5/2 two stable positions	FR = red head push botton
			70 = 5/3 CC spring return	FV = green head push botton
			71 = 5/3 CA spring return	FN = black head push botton
			72 = 5/3 CP spring return	BR = red recessed botton
			73 = 5/3 CC 3 positions	BV = green recessed botton
			74 = 5/3 CA 3 positions	BN = black recessed botton
			75 = 5/3 CP 3 positions	

Technical data	
Fluid	Compressed filtered air with or without lubrication
Pressure range	0 ÷ 10 bar
Temperature range	-10 °C ÷ + 80°C
Orifice	8 mm
Flow	1100 NI/min at 6 bar with ΔP 1 bar
Mounting	In any position
Materials	Body: Aluminium Cover: Aluminium Bottom plates: Plastic Spool: Chemical nickel plated aluminium Distancers: Plastic Seals: Nitrile rubber (NBR) Lever: Steel

Valves series A1
1/4", 5/2 - 5/3, manually operated

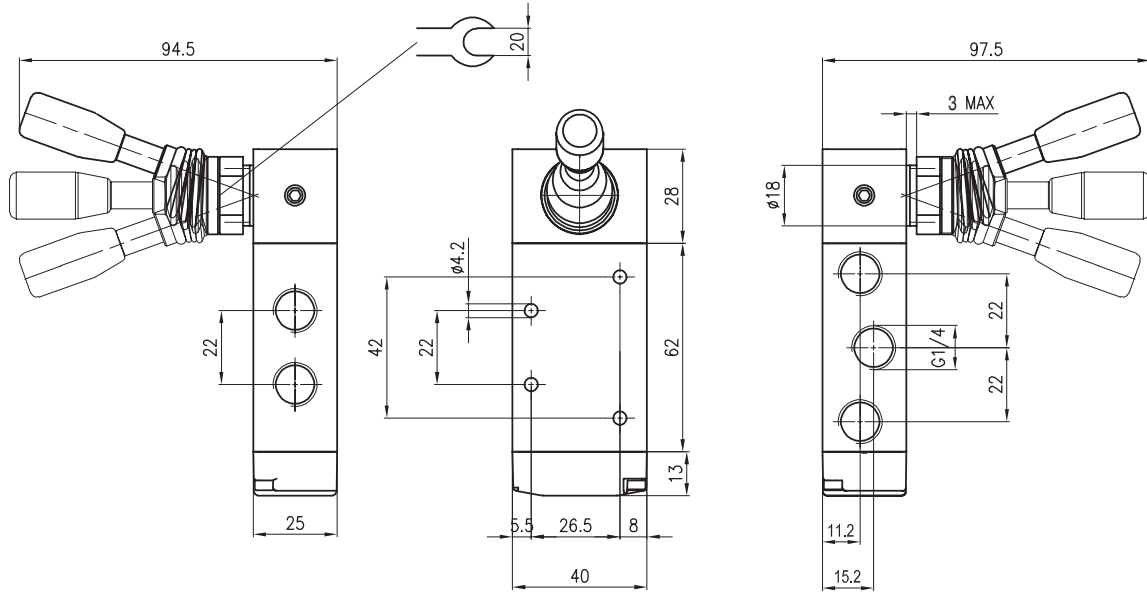


Version	Symbol	Code	Item
5/2 side lever, 1 position		034078	A1MA250LL
5/2 side lever, 2 positions		034079	A1MA251LL



Versione	Simbolo	Codice	Articolo
5/3 side lever, closed centres, 1 position		034072	A1MA270LL
5/3 side lever, open centres, 1 position		034081	A1MA271LL
5/3 side lever, pressurised centres, 1 position		034080	A1MA272LL

Valves series A1
1/4", 5/2 - 5/3, manually operated

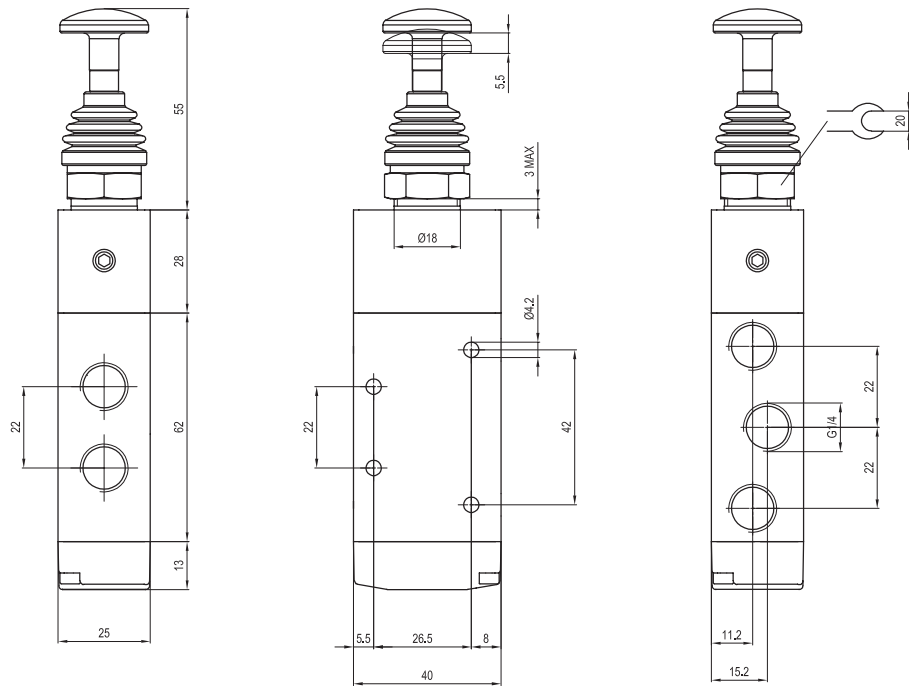


Versione	Simbolo	Codice	Articolo
5/3 side lever, closed centres, 3 positions		034075	A1MA273LL
5/3 side lever, open centres, 3 positions		034073	A1MA274LL
5/3 side lever, pressurised centres, 3 positions		034074	A1MA275LL

2

Versione	Simbolo	Codice	Articolo
5/2 top lever, 2 positions		034105	A1MA251LT

Valves series A1
 1/4", 5/2 - 5/3, manually operated



Versione	Simbolo	Codice	Articolo
5/2 push-pull, 1 position		034106	A1MA250TT
5/2 push-pull, 2 positions		034107	A1MA251TT