

Valves series A1

1/8", 5/2 - 5/3, manually operated



Executions			
Version	Symbol	Code	Item
5/2 side lever 1 position		034064	A1MA150LL
5/2 side lever 2 positions		034063	A1MA151LL
5/3 side lever closed centres, 1 position		034062	A1MA170LL
5/3 side lever open centres, 1 position		034066	A1MA171LL
5/3 side lever pressurised centres, 1 position		034065	A1MA172LL
5/3 side lever closed centres, 3 positions		034068	A1MA173LL
5/3 side lever open centres, 3 positions		034067	A1MA174LL
5/3 side lever pressurised centres, 3 positions		034069	A1MA175LL
5/2 top lever 2 positions		034091	A1MA151LT
5/2 push-pull 1 position		034092	A1MA150TT
5/2 push-pull 2 positions		034093	A1MA151TT
5/2 red head push button, 1 position		034094	A1MA150FR
5/2 green head push button, 1 position		034095	A1MA150FV
5/2 black head push button, 1 position		034096	A1MA150FN
5/2 red recessed button, 1 position		034097	A1MA150BR
5/2 green recessed button, 1 position		034098	A1MA150BV
5/2 black recessed button, 1 position		034099	A1MA150BN



Series of spool valves, with static seals, high flow, for panel or sub-base mounting.

Code key

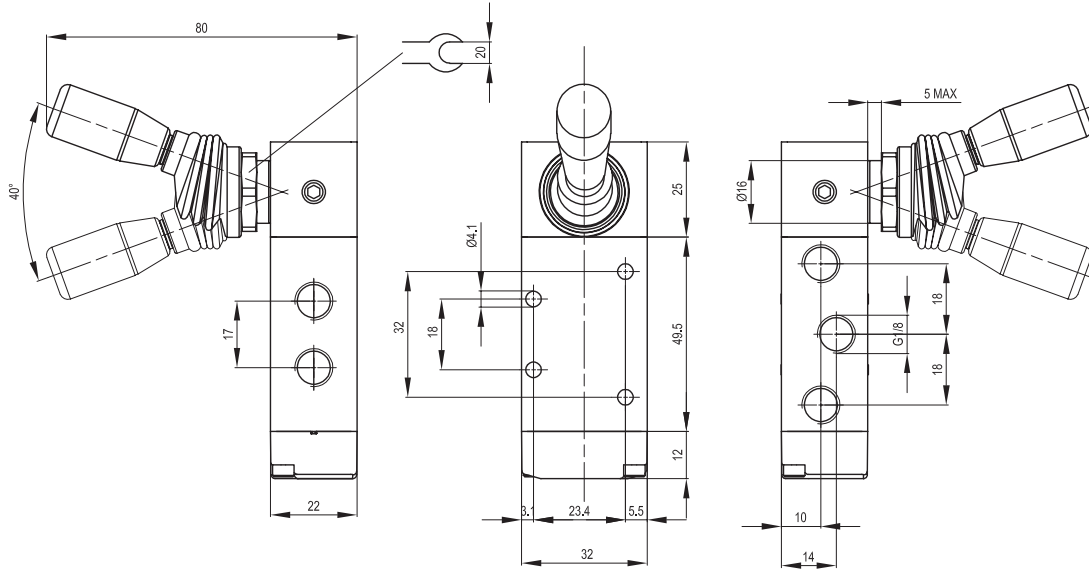
Series	Actuation	Size	Function	Actuation
A1	MA=Manual	1 = 1/8" 2 = 1/4"	30 = 3/2 NC spring return 32 = 3/2 two stable positions 50 = 5/2 spring return 51 = 5/2 two stable positions 70 = 5/3 CC spring return 71 = 5/3 CA spring return 72 = 5/3 CP spring return 73 = 5/3 CC 3 positions 74 = 5/3 CA 3 positions 75 = 5/3 CP 3 positions	LL = side lever LT = top lever TT = push-pull FR = red head push button FV = green head push button FN = black head push button BR = red recessed button BV = green recessed button BN = black recessed button



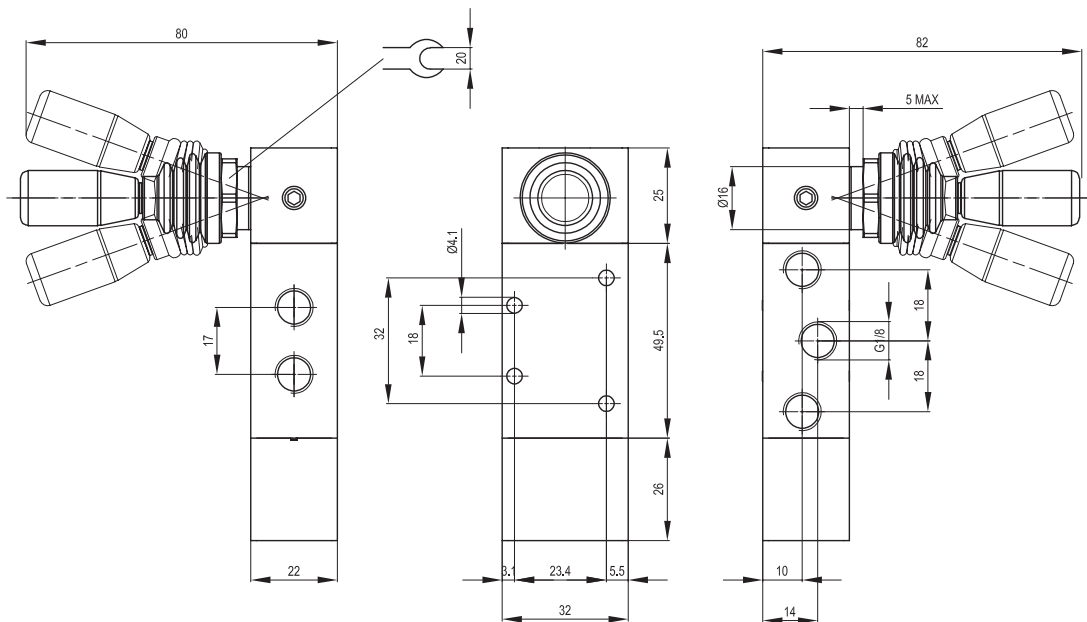
On request, they can be supplied according Directive 94/9/EC - **ATEX**
CE **II 2 GDC T5**

Technical data	
Fluid	Compressed filtered air with or without lubrication
Pressure range	0 ÷ 10 bar
Temperature range	-10 °C ÷ + 80°C
Orifice	6,5 mm
Flow	650 NI/min at 6 bar with ΔP 1 bar
Mounting	In any position
Materials	Body: Aluminium Cover: Aluminium Bottom plates: Plastic Spool: Chemical nickel plated aluminium Distancers: Plastic Seals: Nitrile rubber (NBR) Lever: Steel

Valves series A1
1/8", 5/2 - 5/3, manually operated

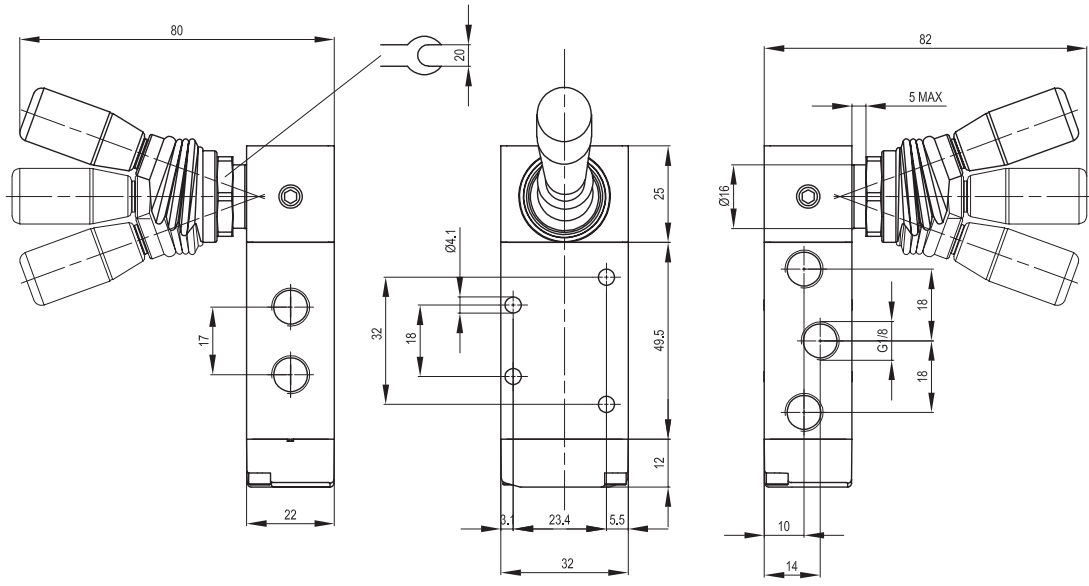


Version	Symbol	Code	Item
5/2 side lever, 1 position		034064	A1MA150LL
5/2 side lever, 2 positions		034063	A1MA151LL

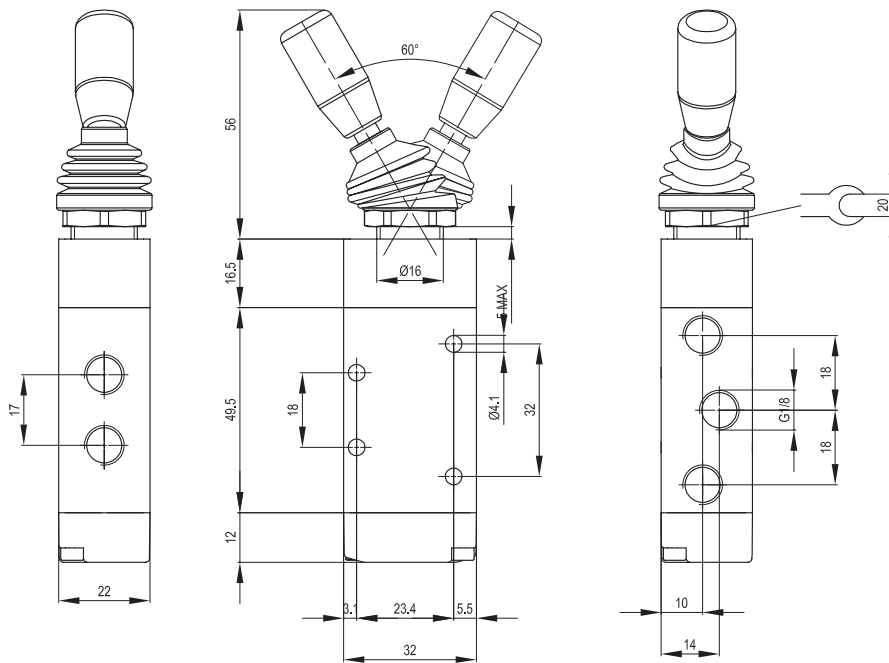


Version	Symbol	Code	Item
5/3 side lever, closed centres, 1 position		034062	A1MA170LL
5/3 side lever, open centres, 1 position		034066	A1MA171LL
5/3 side lever, pressurised centres, 1 position		034065	A1MA172LL

Valves series A1
1/8", 5/2 - 5/3, manually operated



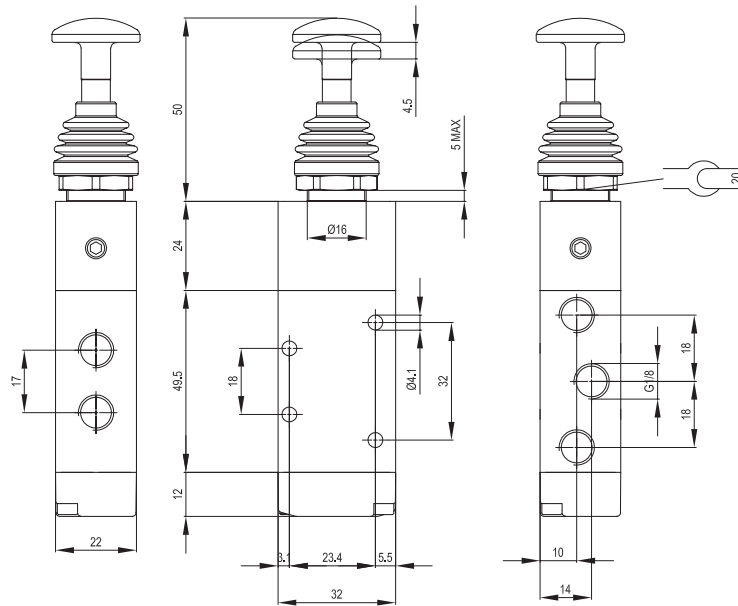
Version	Symbol	Code	Item
5/3 side lever, closed centres, 3 positions		034068	A1MA173LL
5/3 side lever, open centres, 3 positions		034067	A1MA174LL
5/3 side lever, pressurised centres, 3 positions		034069	A1MA175LL



Versione	Version	Symbol	Code
5/2 top lever, 2 positions		034091	A1MA151LT

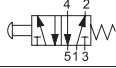
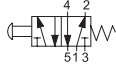
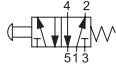
2

Valves series A1
1/8", 5/2 - 5/3, manually operated



Version	Symbol	Code	Item
5/2 push-pull, 1 position		034092	A1MA150TT
5/2 push-pull, 2 positions		034093	A1MA151TT

Version	Symbol	Code	Item
5/2 red head, push button, 1 position		034094	A1MA150FR
5/2 green head, push button, 1 position		034095	A1MA150FV
5/2 black head, push button, 1 position		034096	A1MA150FN

Version	Symbol	Code	Item
5/2 red recessed button, 1 position		034097	A1MA150BR
5/2 green recessed button, 1 position		034098	A1MA150BV
5/2 black recessed button, 1 position		034099	A1MA150BN