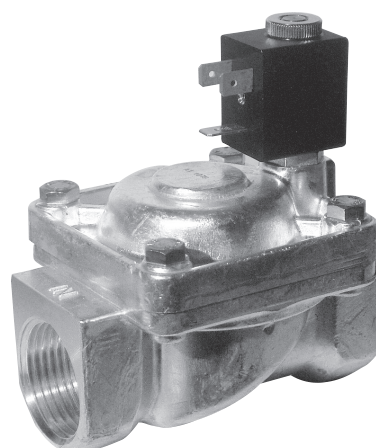


# Indirectly operated solenoid valves for water and steam

## 2/2, normally closed from 1/4" to 2"



Standard executions		
Version	Symbol	Type
With NBR seals (-10 °C ÷ + 90 °C)		AEN22
With FKM seals (-10 °C ÷ + 130 °C)		AEV22
With EPDM seals EPDM (+ 140 °C)		AEP22



Series of indirectly operated valves for fluids and compressed air, servoassisted with diaphragm. Coils and connectors are to be ordered separately.

For the coils type ASA33/ASA32 see from page 2.200.20. For the connectors type A122/A182 see page 2.210.20/2.210.30.

How to order: AEN22100

AEN22	100
Type	Port

For order codes see the table below.

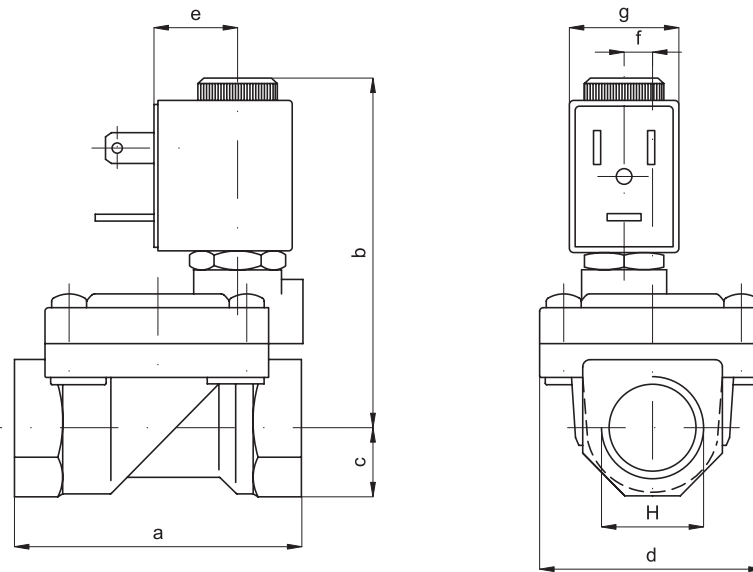
Ports	
1/4" = 014	1" = 100
3/8" = 038	1 1/4" = 114
1/2" = 012	1 1/2" = 112
3/4" = 034	2" = 200

Technical data	
Fluid	Compressed filtered air with or without lubrication, water and steam
Pressure range	25 bar
Fluid maximum viscosity	25 cSt (mm <sup>2</sup> /s)
Orifice	See the table below
Flow	See the table below
Manual override	Two stable position, flat
Mounting	Better with the coil high
Materials	Body: Brass Seals: NBR - FKM - EPDM Internal parts: Stainless steel

Ports	Orifice mm	Flow m <sup>3</sup> /h	Differential pressure bar			Power			Coil type	Order codes		
			Min	Max		AC (VA)		DC (Watt)		NBR	FKM	EPDM
				AC	DC	Inrush	Rating					
1/4"	10	1,5	0,15	15	15	12	8	6,5	ASA33	035501	035511	035521
3/8"	12	2	0,15	15	15	12	8	6,5	ASA33	035502	035512	035522
1/2"	12	2,2	0,15	15	15	12	8	6,5	ASA33	035503	035513	035523
3/4"	18	5,2	0,15	13	13	12	8	6,5	ASA33	035504	035514	035524
1"	24	10,2	0,15	10	10	12	8	6,5	ASA33	035505	035515	035525
1 1/4"	38	18	0,15	10	10	20	15	10	ASA32	035506	035516	035526
1 1/2"	38	21	0,15	10	10	20	15	10	ASA32	035507	035517	035527
2"	50	36	0,15	10	10	20	15	10	ASA32	035508	035518	035528



Indirectly operated solenoid valves for water and steam  
 2/2, normally closed from 1/4" to 2"



H	a	b	c	d	e	f	g	Weight kg.
1/4"	47	64	11	32	16	-	22	0,25
3/8"	60	73	14	45	16	6	22	0,45
1/2"	60	73	14	45	16	6	22	0,40
3/4"	75	75	18	55	20	8,5	22	0,66
1"	96	85	20	72	32	-	22	1,20
1" 1/4	144	95	28	102	45	-	30	3,20
1" 1/2	144	95	28	102	45	-	30	2,90
2"	152	119	35	119	48	-	30	4,50